

# 4-190 Hinge Pr04 180°

for surface mounted door

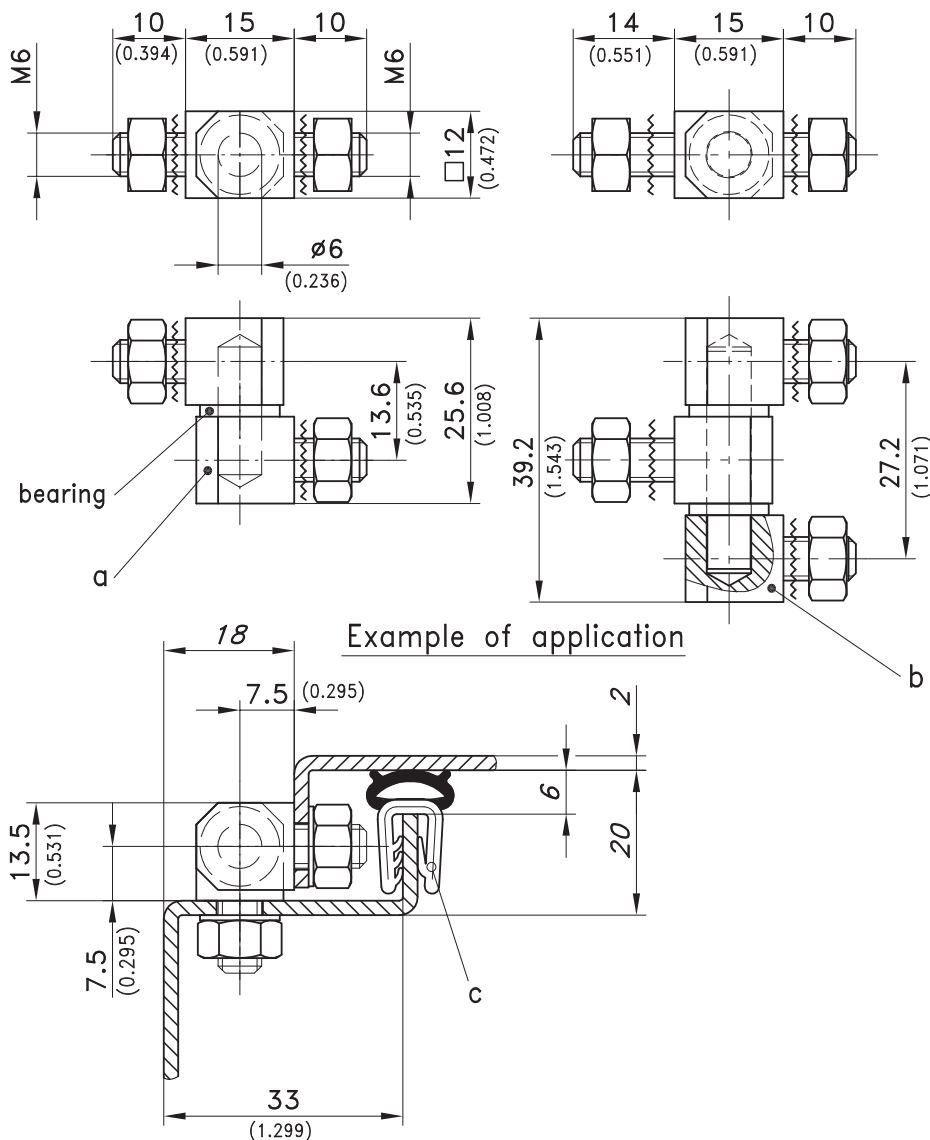


Screw-on Hinge for surface mounted door.

- Version a) lift-off.

## Material:

- **Hinge:** steel, zinc plated
- **Bearing washer:** brass, nickel plated
- **Nuts and serrated washers:** steel, zinc plated
- **Pin:** steel, nickel plated



version	Part No.	see page
a) Screw-on Hinge 2-parts, lift-off 2 nuts and serrated washers are included.	219-9005	
b) Screw-on Hinge 3-parts 3 nuts and serrated washers are included.	219-9001	
<b>Stainless steel version</b>		<b>10.77</b>
c) e.g. Clip-On Profiles	209-0201	07.19