

7-110 Hinge Pr04 180°

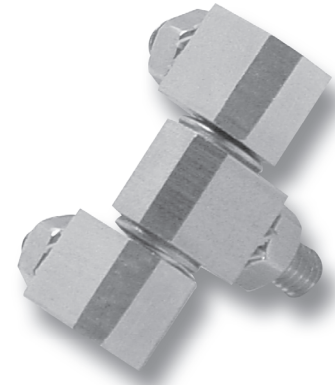
for surface mounted door, stainless steel AISI 303



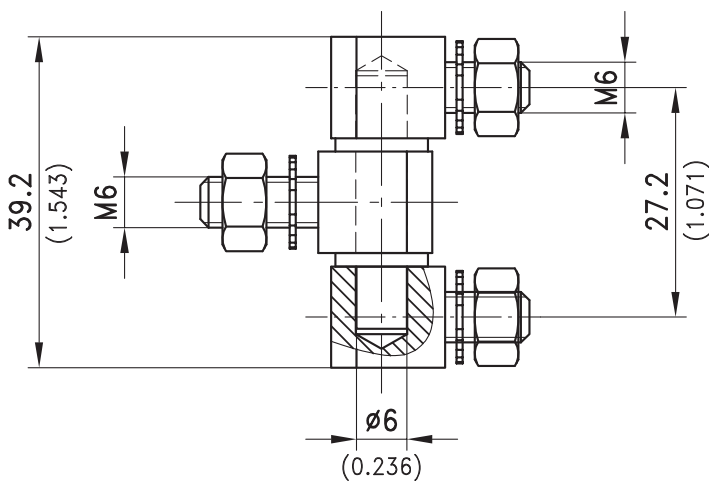
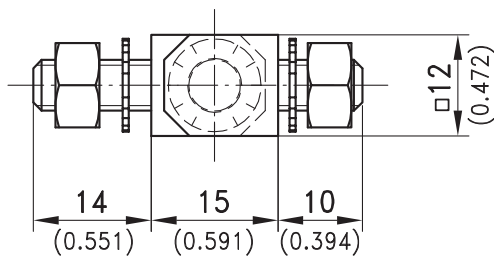
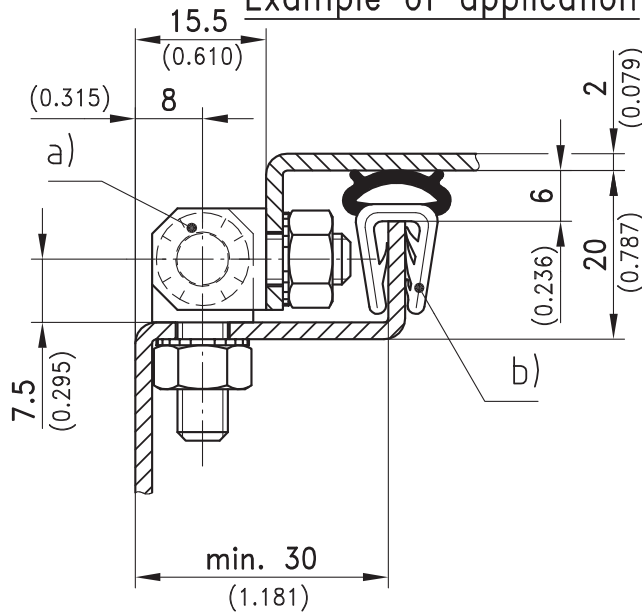
Screw-on hinge, light version, for surface mounted doors.

Material:

- **Head- and middle part, pin and washer:** stainless steel AISI 303



Example of application



	Part No.	see page
a) Hinge	219-9002	
3 nuts and serrated washers are included.		
b) e.g. Clip-on profile	209-0201	07.19