

# 7-123 Hinge Pr01 180°

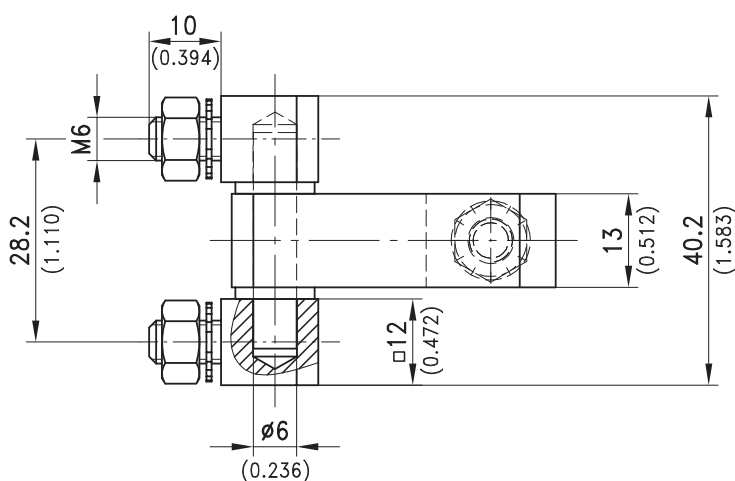
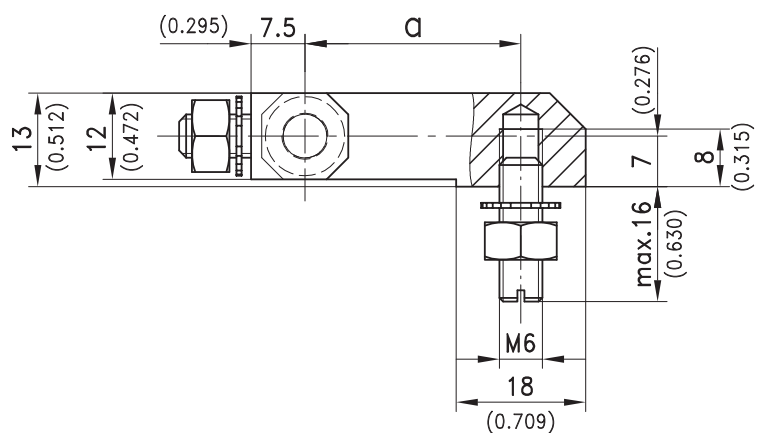
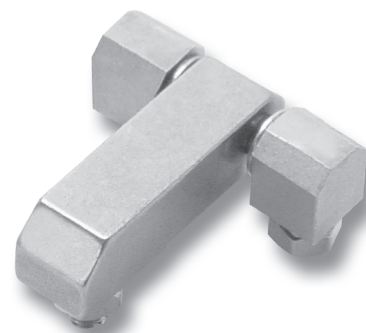
for nested door, stainless steel AISI 304



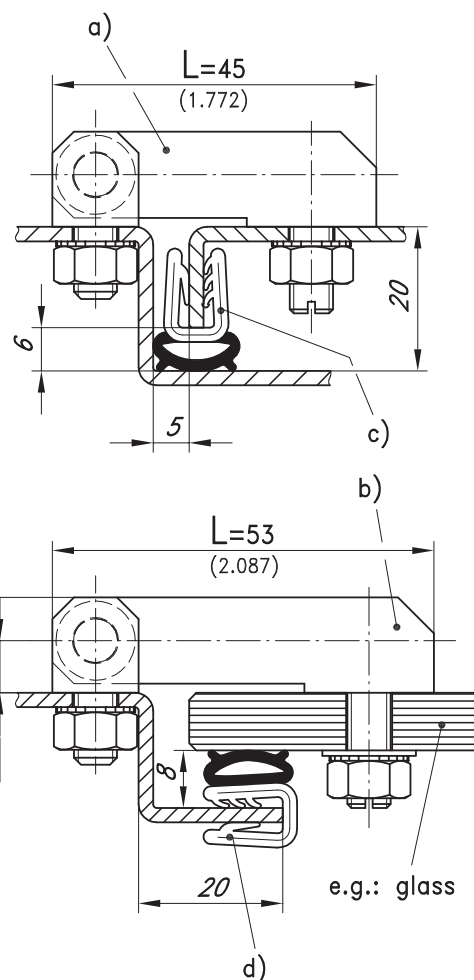
Screw-on hinge for nested/flush door/  
frame construction.

## Material:

- Head- and middle part, pin, nuts  
and washers: stainless steel  
AISI 304



## Examples of application



	dimension L	dimension a	Part No.	see page
a) Hinge	45/1.772	30/1.181	219-9006	
b) Hinge	53/2.087	38/1.496	219-9007	
<b>Stud, 3 nuts and serrated washers are included.</b>				
c) e.g. Clip-on profile			209-0201	07.19
d) e.g. Clip-on profile			209-0202	07.20