

# 7-125 Hinge Pr01 180°

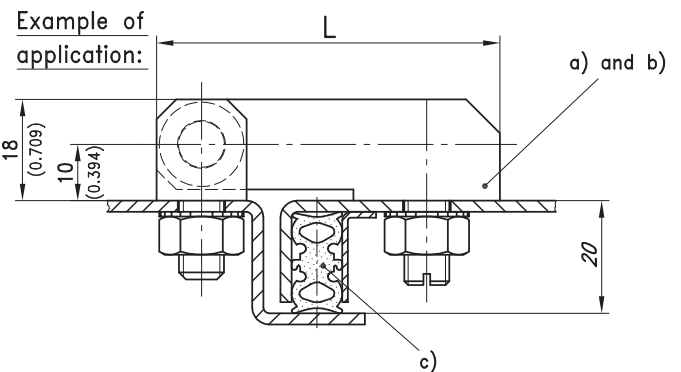
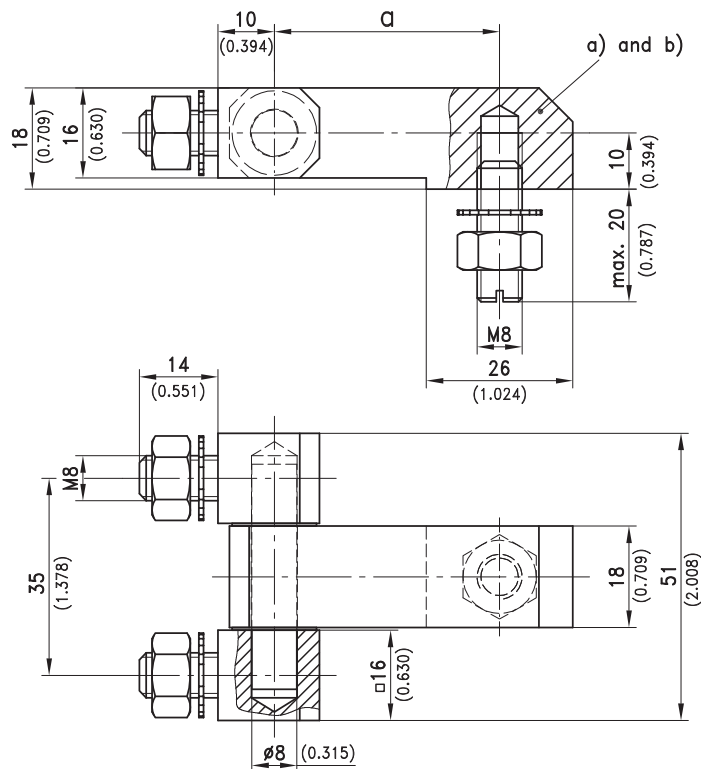
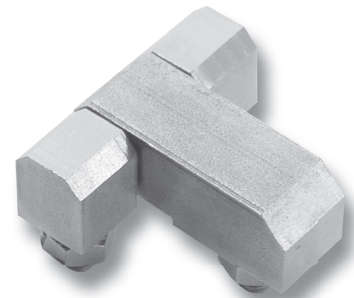
for nested door, stainless steel AISI 304



Screw-on hinge for nested/flush door/  
frame construction, heavy duty version.

## Material:

- **Head- and middle part, pin, nuts and washers:** stainless steel AISI 304



	dimension L	dimension a	Part No.	see page
a) Hinge	50/1.969	29/1.142	219-9107	
b) Hinge	61/2.402	40/1.575	219-9108	
Stud, 3 nuts and serrated washers are included.				
c) e.g. Clip-on profile			209-0122	07.08