

4-220 Hinge Pr04 180°

for surface mounted door / explosion-tight



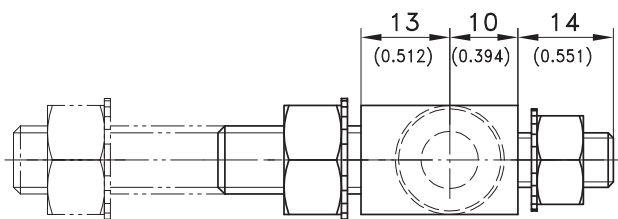
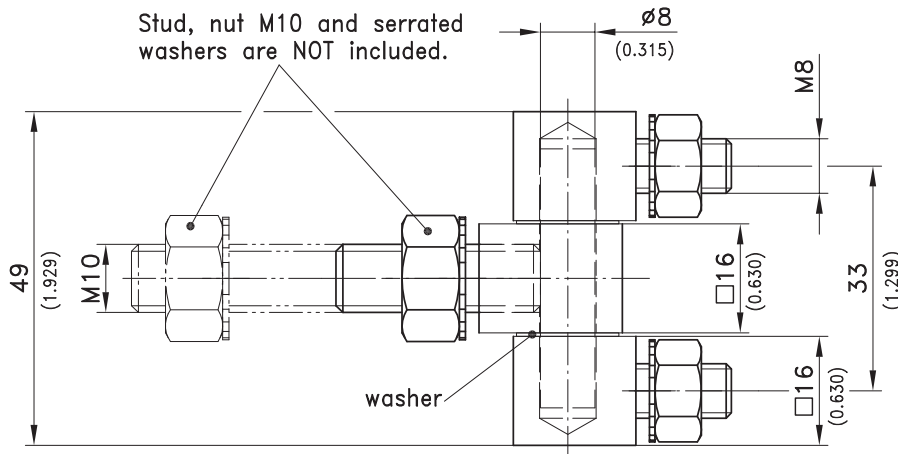
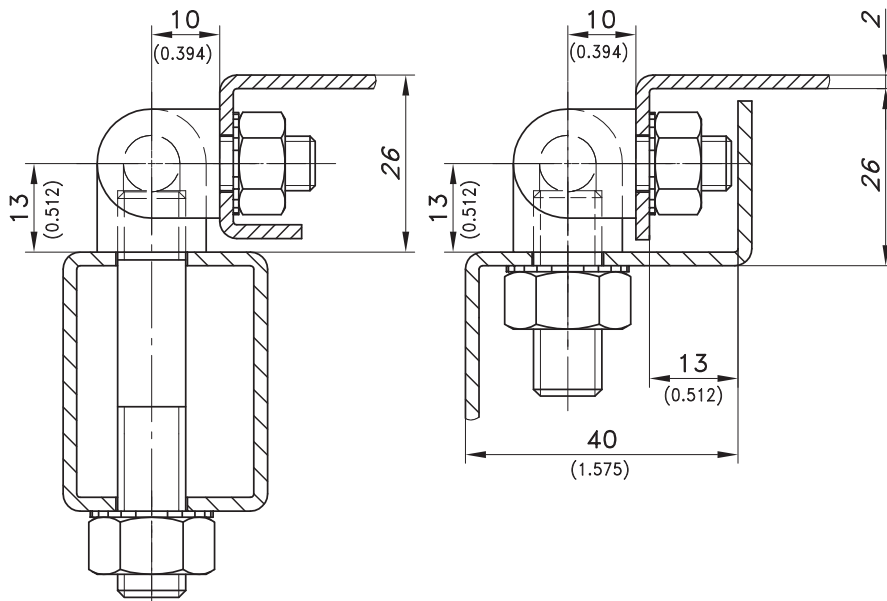
Hinge for explosion-tight doors.

Material:

- **Hinge:** tempered steel, zinc plated
- **Washer:** brass, nickel plated
- **Nut and washer:** steel, zinc plated
- **Pin:** steel, nickel plated



Examples of application



Part No.
219-9201

Screw-on hinge
2 nuts and serrated washers Ø8 are included.