

1-053 Cylinder Quarter-Turn Pr14.1 L13.5

for cutout 14.1, length 13.5

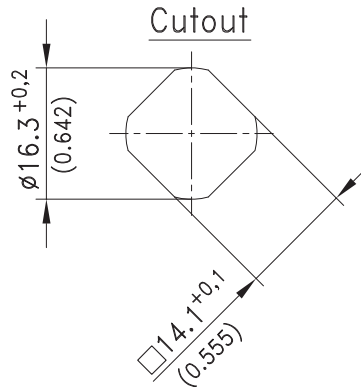
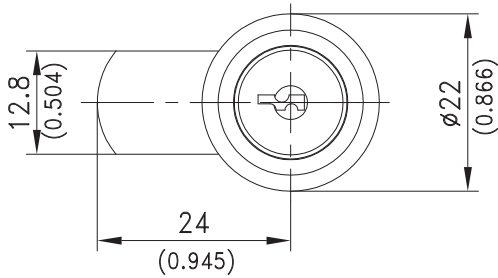
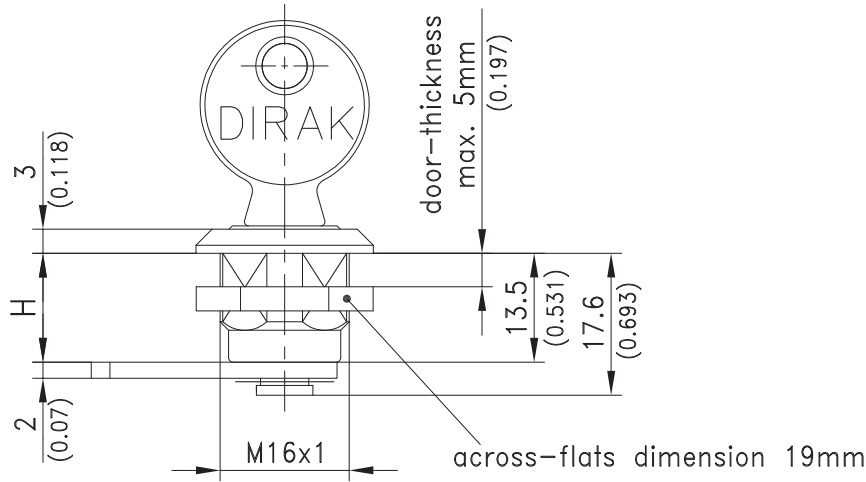
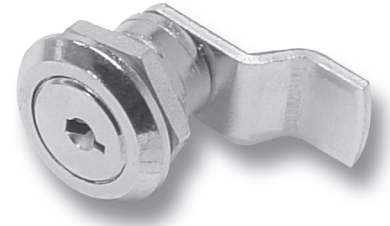


Cylinder Quarter-Turn with 90° rotation, nut fixing.

- A pre-assembled Quarter-Turn can be installed in the cutout.

Material:

- **Housing:** zinc die, chrome plated or black
- **Cylinder:** zinc die, chrome plated
- **Nut and cam:** steel, zinc plated



Housing, zinc die, chrome plated		with nut		with grounding nut	
Locking type	H in mm / inch	standard	special version	standard	special version
		riveted cam*	cam fixed with c-clip	riveted cam*	cam fixed with c-clip
keyed alike	7.5	220-9207	220-9207.00-07200	220-9213	220-9213.00-07200
DIRAK 2233X	13.5 (drawn)	220-9208	220-9208.00-07200	220-9214	220-9214.00-07200
	19.5	220-9209	220-9209.00-07200	220-9215	220-9215.00-07200
keyed different/mixed	7.5	220-9210	220-9210.00-07200	220-9216	220-9216.00-07200
	13.5 (drawn)	220-9211	220-9211.00-07200	220-9217	220-9217.00-07200
	19.5	220-9212	220-9212.00-07200	220-9218	220-9218.00-07200
*ATTENTION: The door thickness of the quarter-turns with riveted cam must not exceed 3mm!					
Housing black matt		with nut			
		special version			
		cam			
		fixed with c-clip			
keyed alike	7.5	220-9220.00-07200			
DIRAK 2233X	13.5 (drawn)	220-9221.00-07200			
	19.5	220-9222.00-07200			
keyed different/mixed	7.5	220-9223.00-07200			
	13.5 (drawn)	220-9224.00-07200			
	19.5	220-9225.00-07200			
Special cams					02.20
All locks supplied with two keys.					
Cylinder Quarter-Turn with fixing clip, see page					02.18