

# 4-100 Concealed Hinge Pr02 90°

door bending 20mm, for nested door

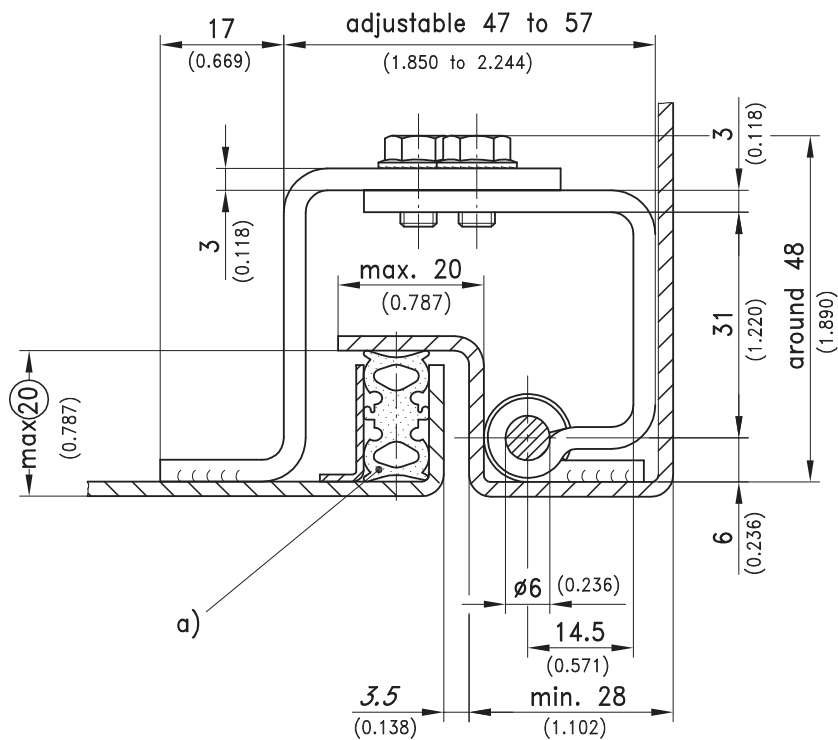
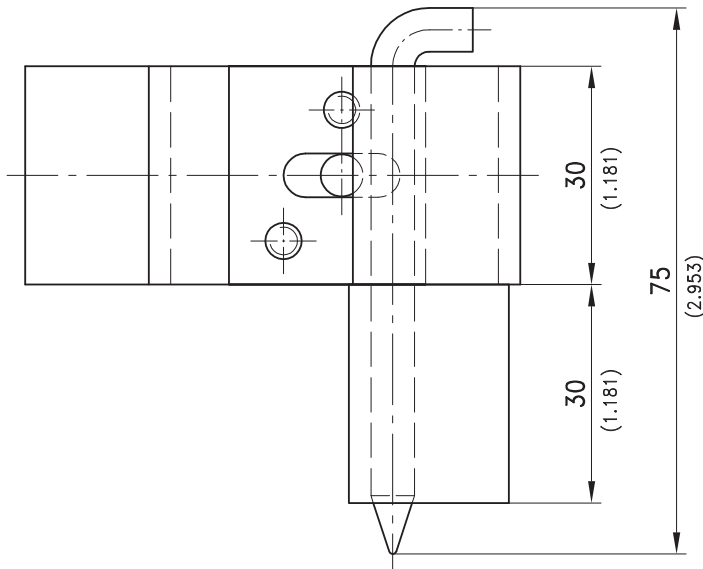
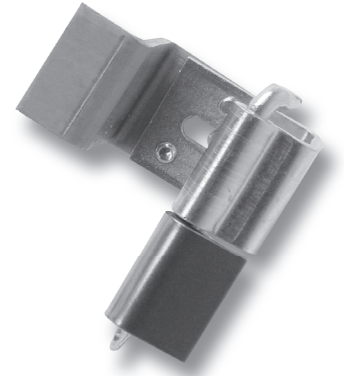


The 2 main Hinge parts have a central guide to prevent door sagging during adjustment.

- RH or LH application.

## Material:

- **U-part:** steel, zinc plated
- **Z-part and frame-part:** steel, untreated
- **Pin:** steel, zinc plated



	Part No.	see page
Concealed Hinge	222-9001	
Stainless steel version		10.62
a) e.g. Clip-on profile	209-0122	07.08