

7-107 Concealed Hinge Pr02 90°

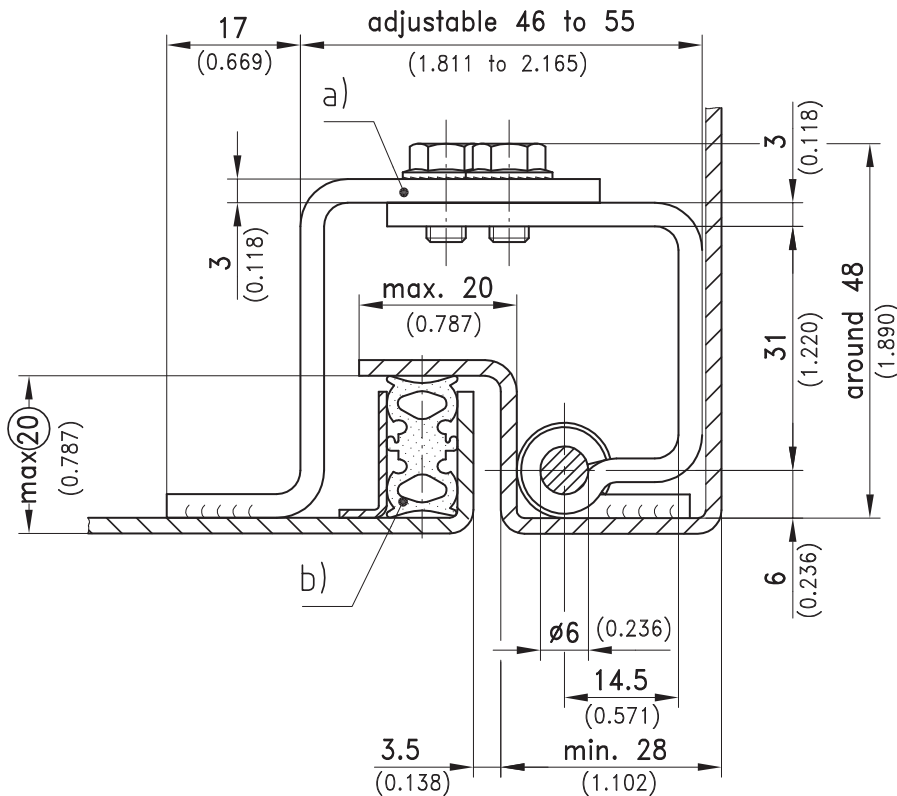
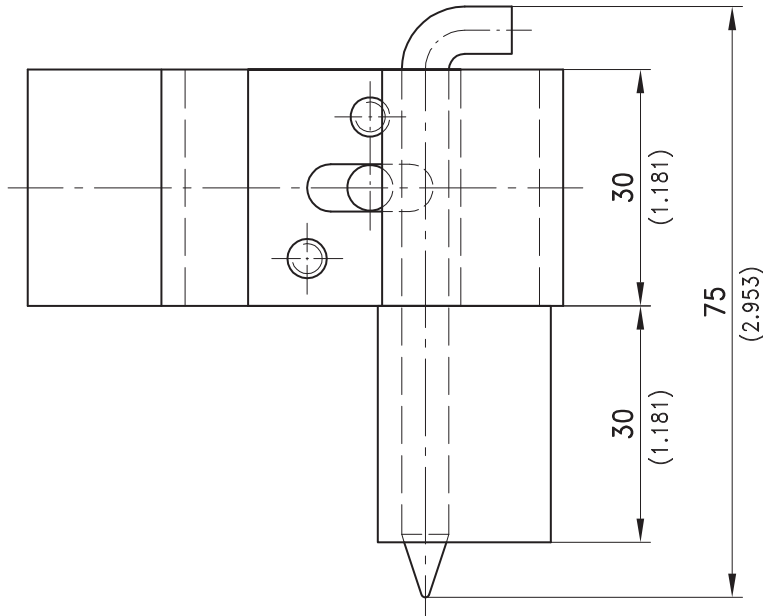
door bending 20mm, for nested door, stainless steel AISI 304



The 2 main hinge parts have a central guide to prevent door sagging during adjustment.
 • RH or LH application.

Material:

- **Concealed Hinge:** stainless steel AISI 304



	Part No.	see page
a) Concealed Hinge	222-9105	
b) e.g. Clip-on profile	209-0122	07.08