

# 7-130 Hinge Pr04 180°

Lift-off, for surface mounted door, weld-on, stainless steel AISI 304

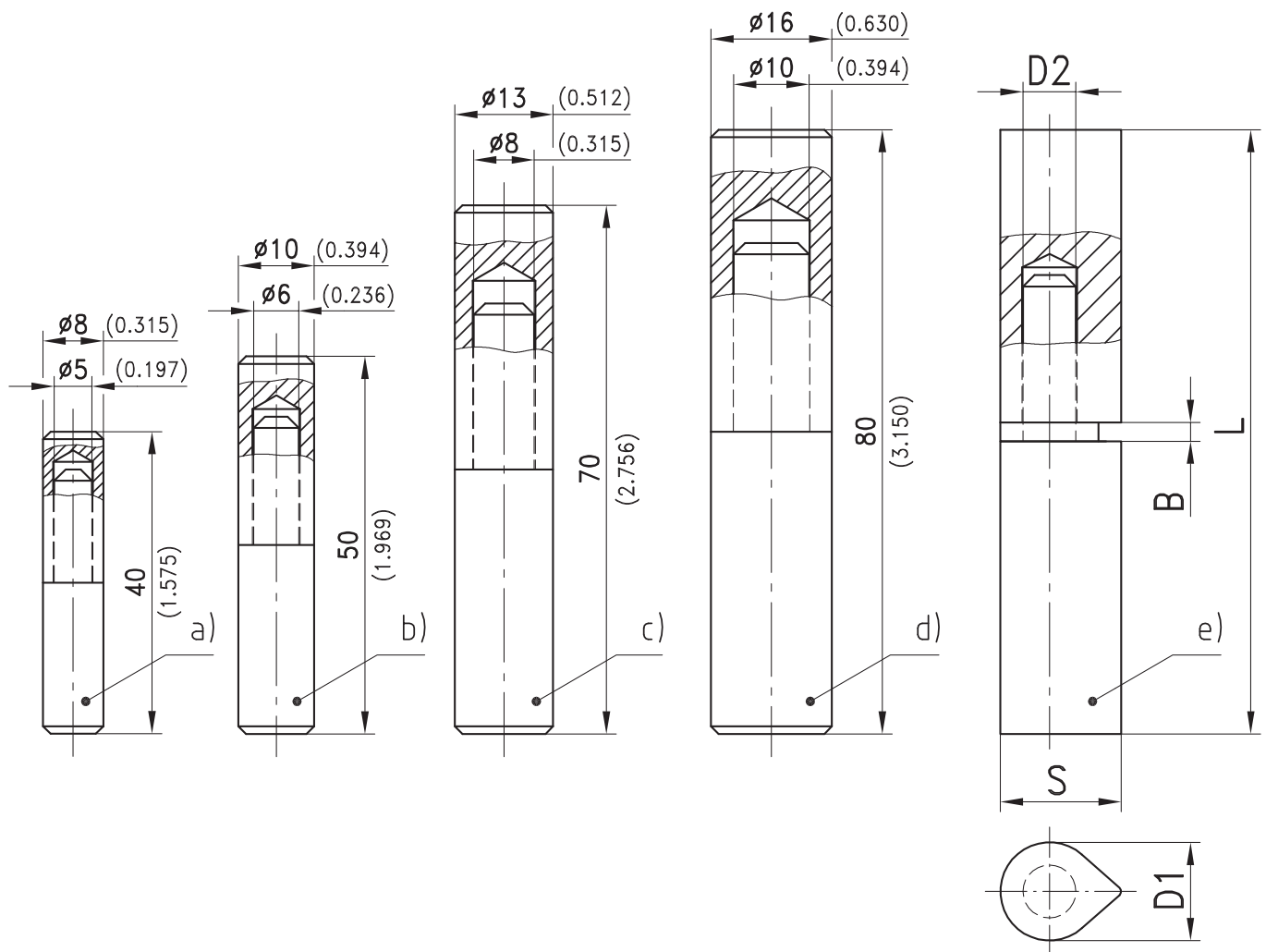


Hinges, made from round, stainless steel rod or with drop-shape.

- Door is lift-off.
- Weld-on

## Material:

- Hinge, pin and washer: stainless steel AISI 304



	Part No.					
a) Hinge Ø8x40	223-9401					
b) Hinge Ø10x50	223-9402					
c) Hinge Ø13x70	223-9403					
d) Hinge Ø16x80	223-9404					
e) Hinge	L	D1	S	B	D2	
	60	10	12.4	2	6	223-9601
	80	13	16	2.5	7	223-9602
	100	16	20	3	9	223-9603
	120	16	20	3	9	223-9604