

7-210 Hinge Pr04 180°

Lift-off, for surface mounted door, stainless steel AISI 316

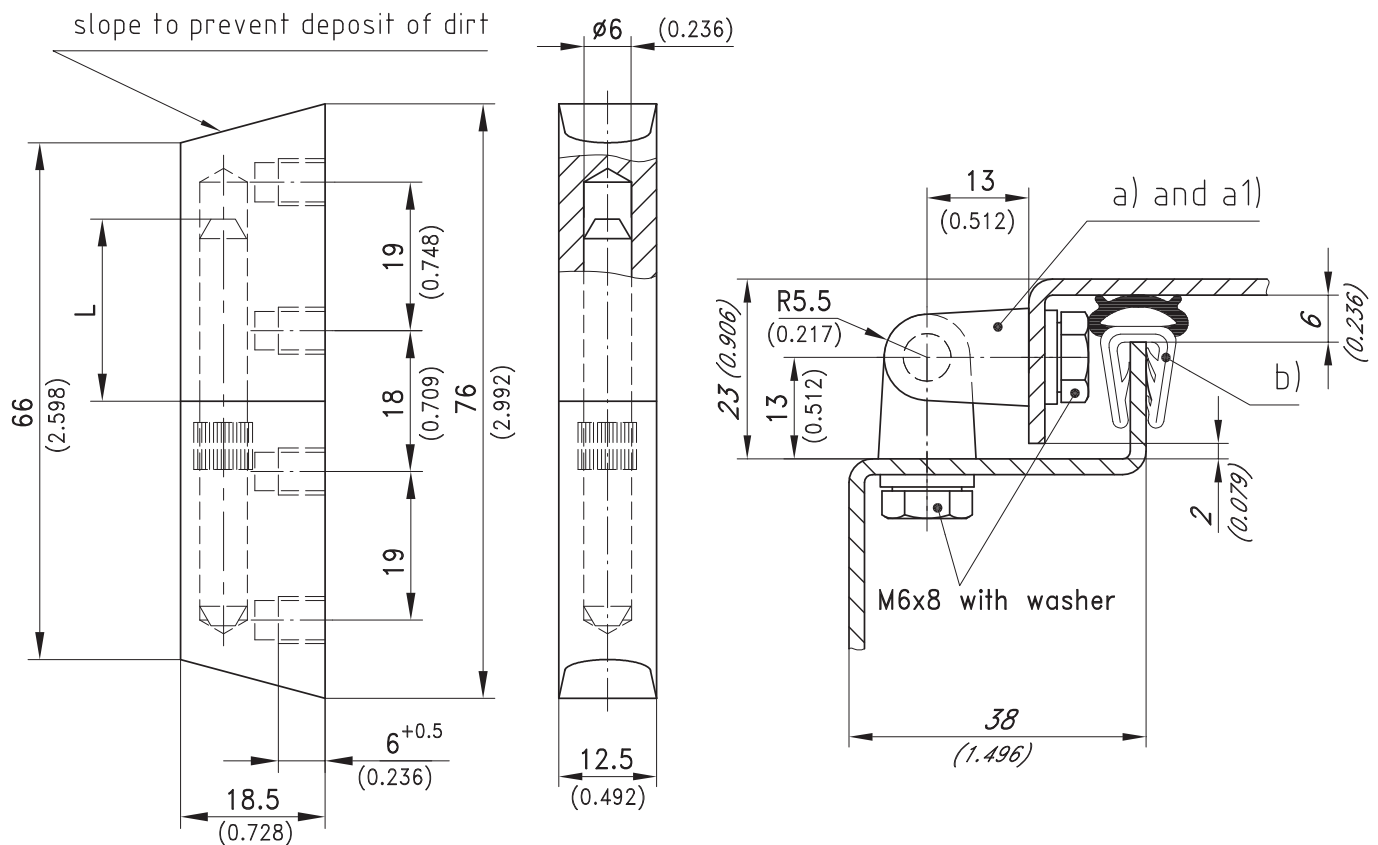


Screw-on hinge, lift-off, RH or LH application.

- The sloping ends prevent the deposit of dust or dirt.

Material:

- **Hinge completely:** stainless steel AISI 316



| | Part No. | see page |
|-------------------------|----------|----------|
| a) Pin L=23 | 224-9003 | |
| a1) Pin L=17.6 | 224-9005 | |
| b) e.g. Clip-on profile | 209-0201 | 07.19 |