

4-285 Hinge Pr04 180°

Lift-off, for surface mounted door

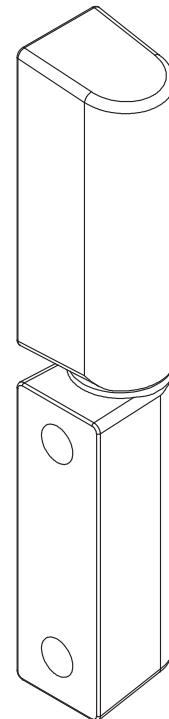
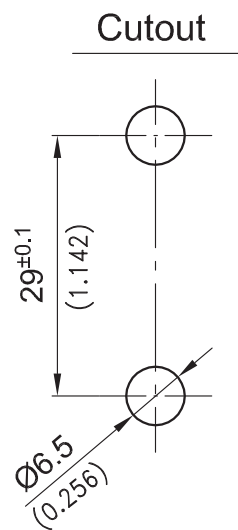
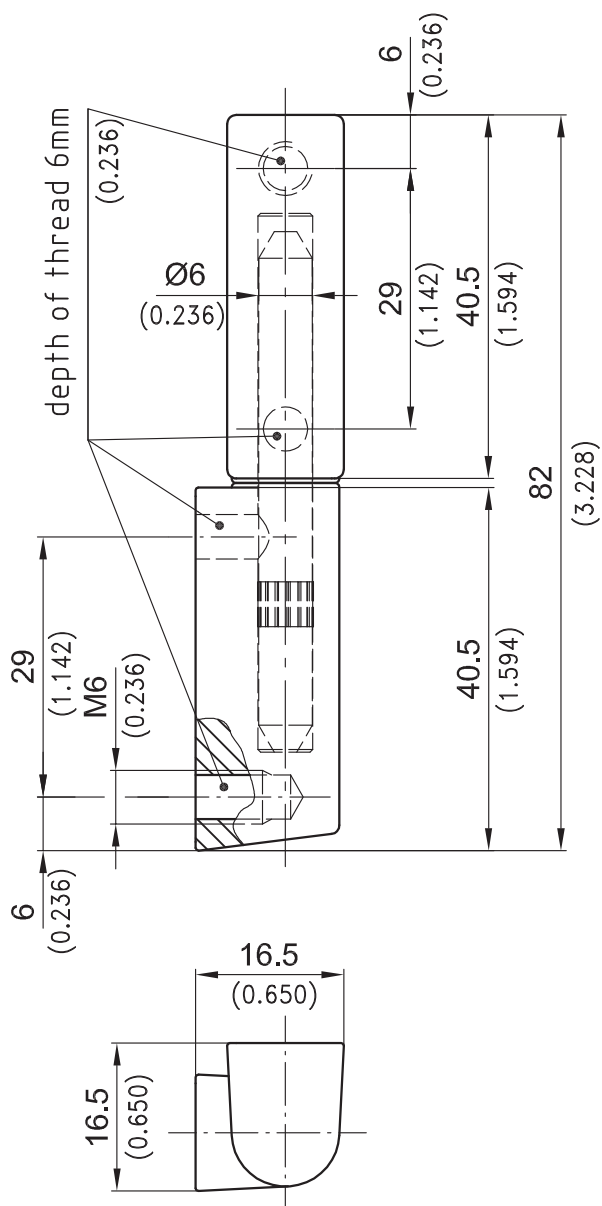


Elegant 180° corner hinge for surface mounted doors.

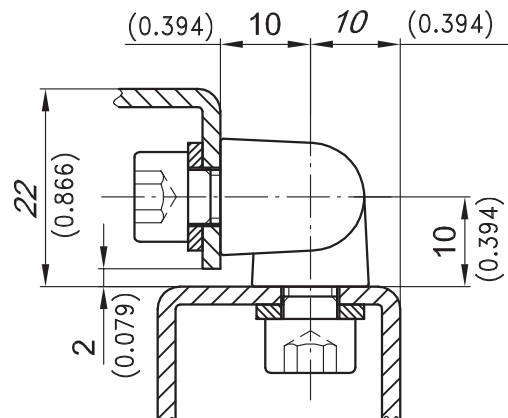
- 180° Opening angle.
- Screw-on.
- Lift-off.
- RH or LH application.

Material:

- **Corner hinge:** zinc die, black coated
- **Other surfaces on request.**
- **Pin:** stainless steel



Example of application



	Part No.	see page
Corner hinge	224-9008	
Screws M6 are not included.		
Hinge with D-SNAP technology		01.80