

4-286 Hinge Pr04 180°

Lift-off, for surface mounted door

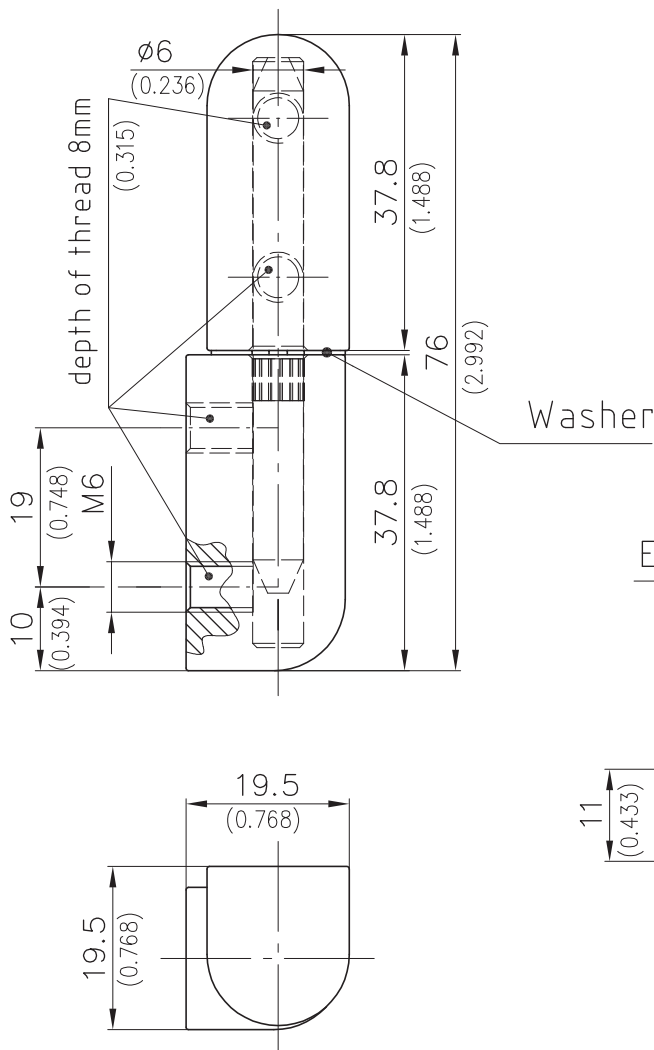


180° corner hinge for surface mounted doors.

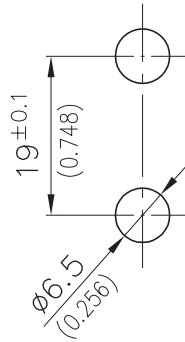
- 180° opening angle.
- Screw-on
- Lift-off
- RH or LH application.
- Pin pressed-in.
- With teflon spacer for a durable, smooth-running functional reliability.
- In three different versions (chrome plated, black powdered or untreated).

Material:

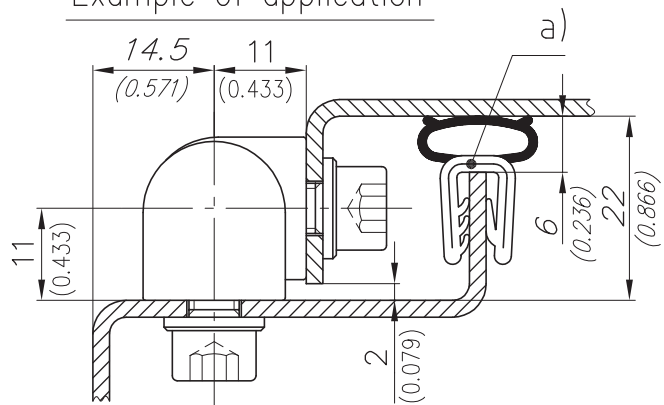
- **Corner hinge:** zinc die, chrome plated, black powdered or untreated
- **Pin:** steel, zinc plated
- **Washer:** teflon



Cutout



Example of application



	Part No.	see page
Corner hinge, chrome plated	224-9009	
Corner hinge, black powdered	224-9010	
Corner hinge, untreated	224-9011	
Screws M6 are not included.		
a) e.g. Clip-On Profile	209-0201	07.19