

# 7-211 Corner Hinge Pr04 180°

Lift-off, for surface mounted door, stainless steel AISI 316

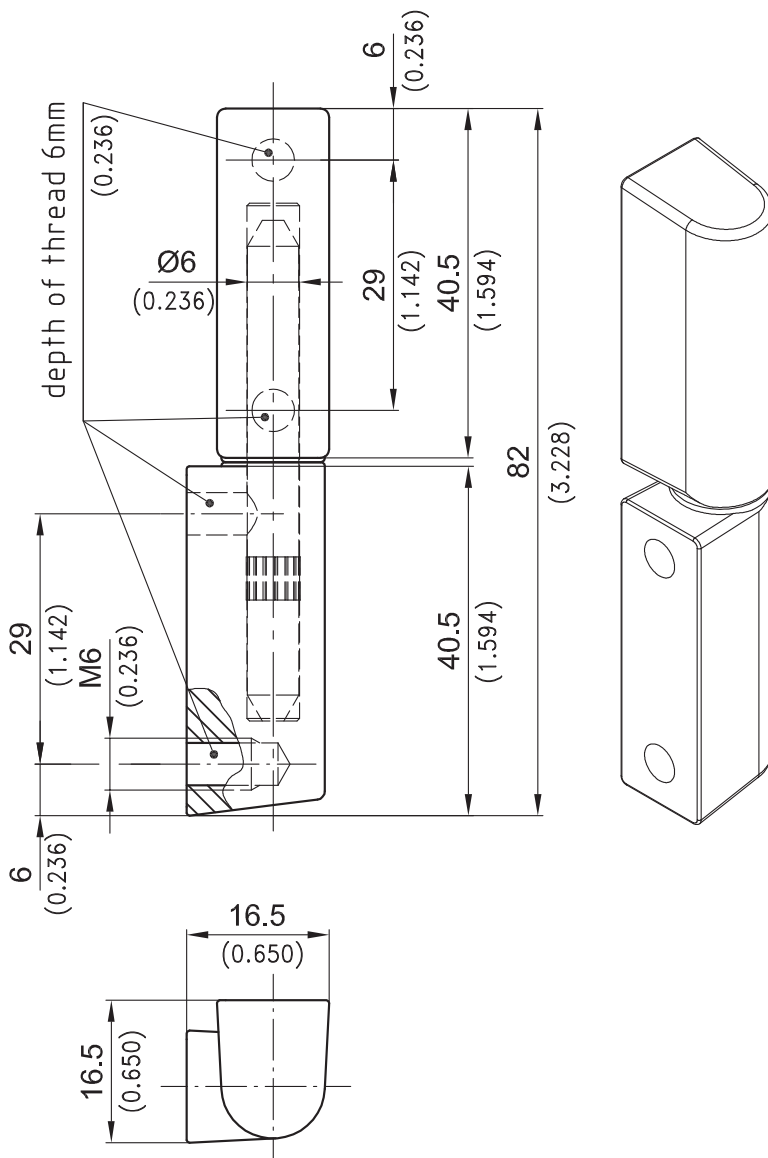


Elegant 180° corner hinge for surface mounted doors.

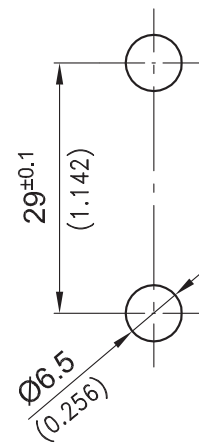
- 180° Opening angle.
- Screw-on.
- Lift-off.
- RH or LH application.

**Material:**

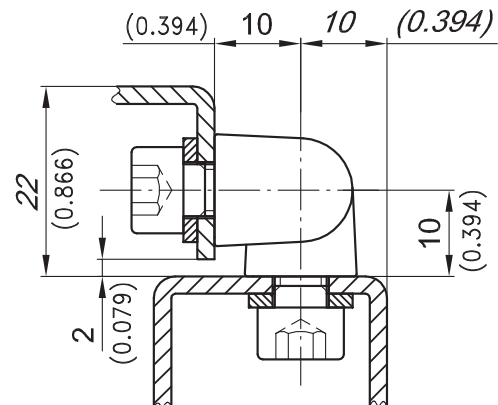
- **Corner hinge:** stainless steel AISI 316, satin polished
- **Pin:** stainless steel



**Cutout**



**Example of application**



<b>Corner hinge</b>	<b>Part No.</b>	<b>see page</b>
<b>Screws M6 not included.</b>	<b>224-9201.00-00000</b>	
<b>Hinge, zinc die with D-SNAP technology</b>		<b>01.80</b>