

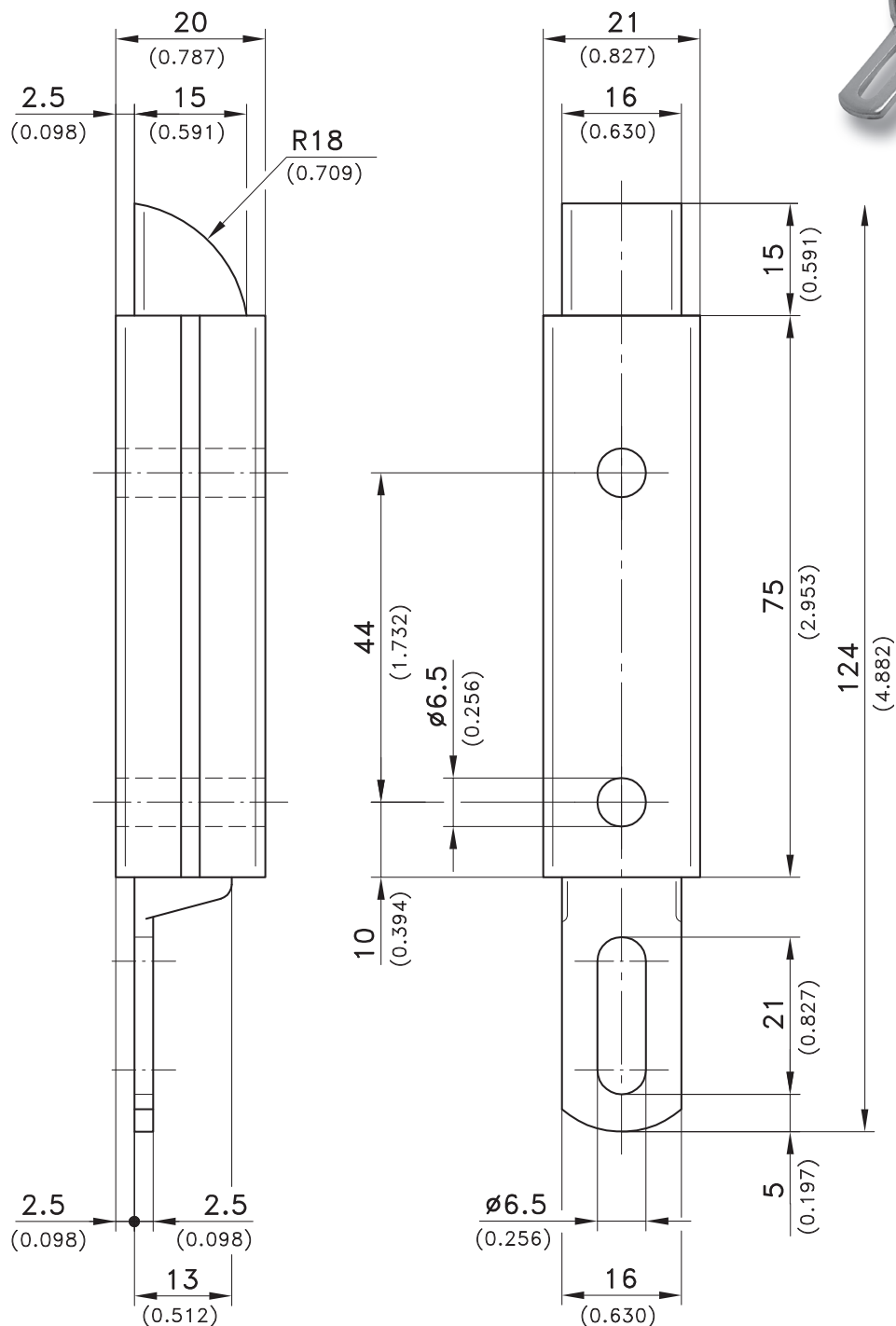
6-120 Slam Lock



Robust, screw-on slam lock.

Material:

- steel, zinc plated



Slam Lock	Part No. 229-9001
------------------	--------------------------