

6-190 Telescopic Stay

steel, zinc plated

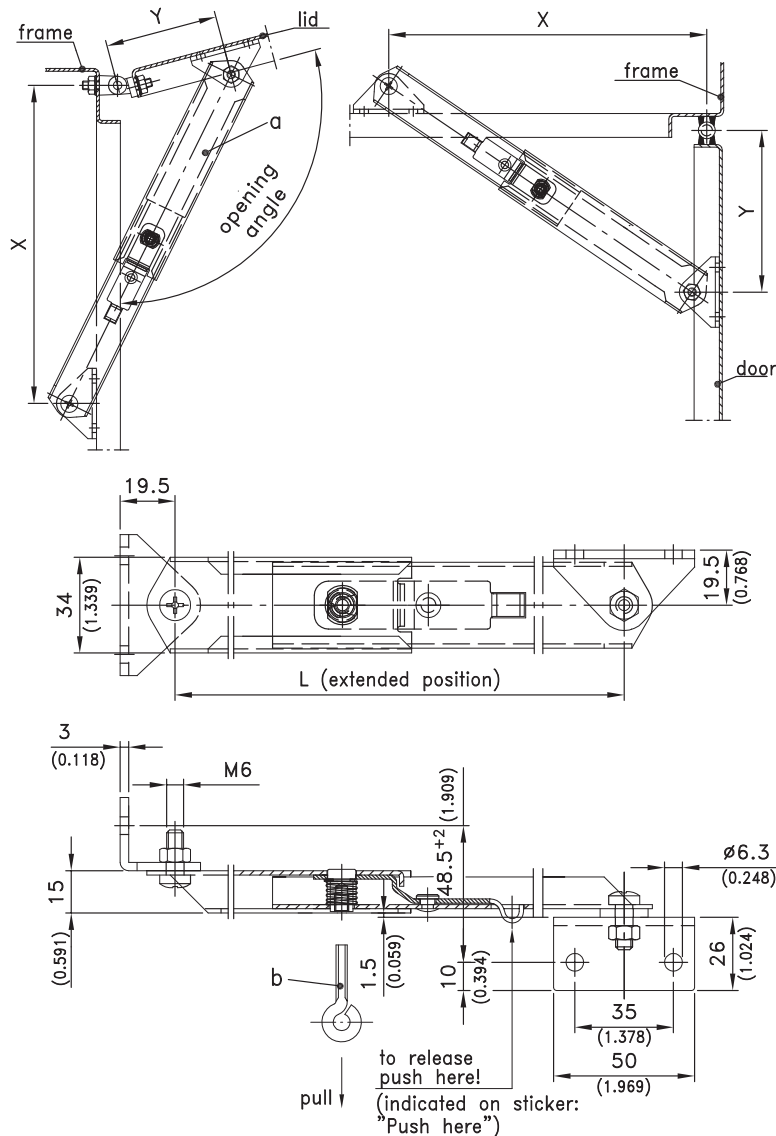


Telescopic stay for doors and lids, RH and LH application.

- For wide lids with 2 cover stays you can release the 2 stops by installing 2 eyelets connected by a steel wire.
- Dimensions X and Y determine the opening angle.
- An example is illustrated.

Material:

- a) and a1)
 - **Outer part:** steel, zinc plated
 - **Inner part:** steel, zinc plated
 - **Mounting angle:** steel, zinc plated
 - **Snap lever:** steel, zinc plated
 - **Snap spike:** steel, zinc plated
 - **Spring:** stainless steel
 - **Screws and washer:** steel, zinc plated
- b)
 - **Eyelet:** steel, zinc plated



version	Length L, retracted	Length L, extended	Dimension X	Dimension Y	Opening Angle	Part No.	see page	
a) Telescopic Stay	370 / 14.567	710 / 27.953	620 / 24.409	220 / 8.661	105°	230-9305		
a1) Telescopic Stay	215 / 8.465	355 / 13.976	315 / 12.402	100 / 3.937	105°	230-9306		
b) Eyelet						860-0048.07-00420		
Other length L on request.								
Stainless steel version								10.89