

# 6-174 Telescopic Cover Support

steel, zinc plated

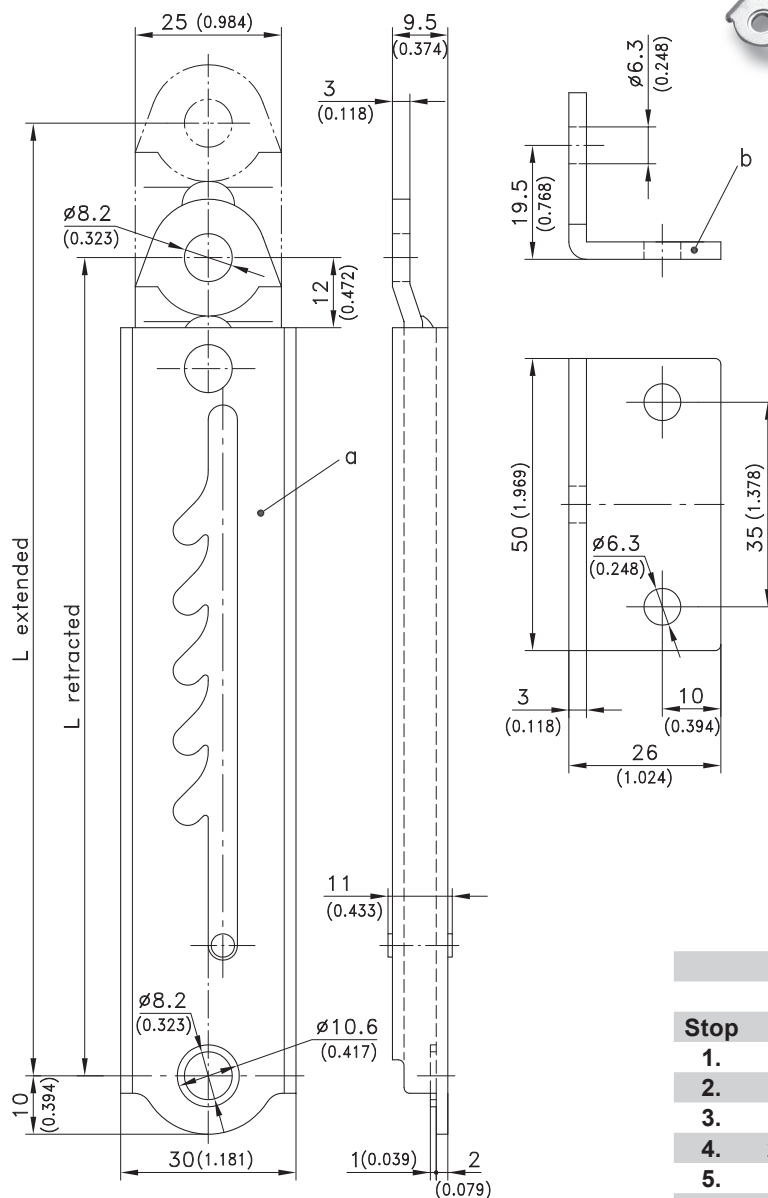


Telescopic Cover stay with automatic multiple stops and automatic release in the end position, for desk-leaves and covers.

- RH or LH application.
- Mounting examples see product system 6-200.
- Note: To release the mechanism, the cover stay has to be extended completely.

## Material:

- a) and a1)
- **Telescopic Cover Support:** steel, zinc plated
- b)
- **Mounting angle:** steel, zinc plated



	a1)	a)
	230-9309	230-9308
Stop	L extended	L extended
1.	234.5 / 9.232	164 / 6.457
2.	248 / 9.764	177 / 6.969
3.	261 / 10.276	189.5 / 7.461
4.	274.5 / 10.807	202 / 7.953
5.	288 / 11.339	214.5 / 8.445
6.	301 / 11.850	-
7.	314.5 / 12.382	-
8.	327 / 12.874	-
9.	340.5 / 13.406	-
10.	354 / 13.937	-

version	Number of stops	Length L, retracted	Length L, extended	Part No.
a) Telescopic Cover Support, short	5	140 / 5.512	230 / 9.055	230-9308
a1) Telescopic Cover Support, long	10	214 / 8.425	374 / 14.724	230-9309
2 spacers for M6 screws included.				
b) Mounting angle with 1 screw and one selflocking nut				230-9401