

1-410 Rod Latch

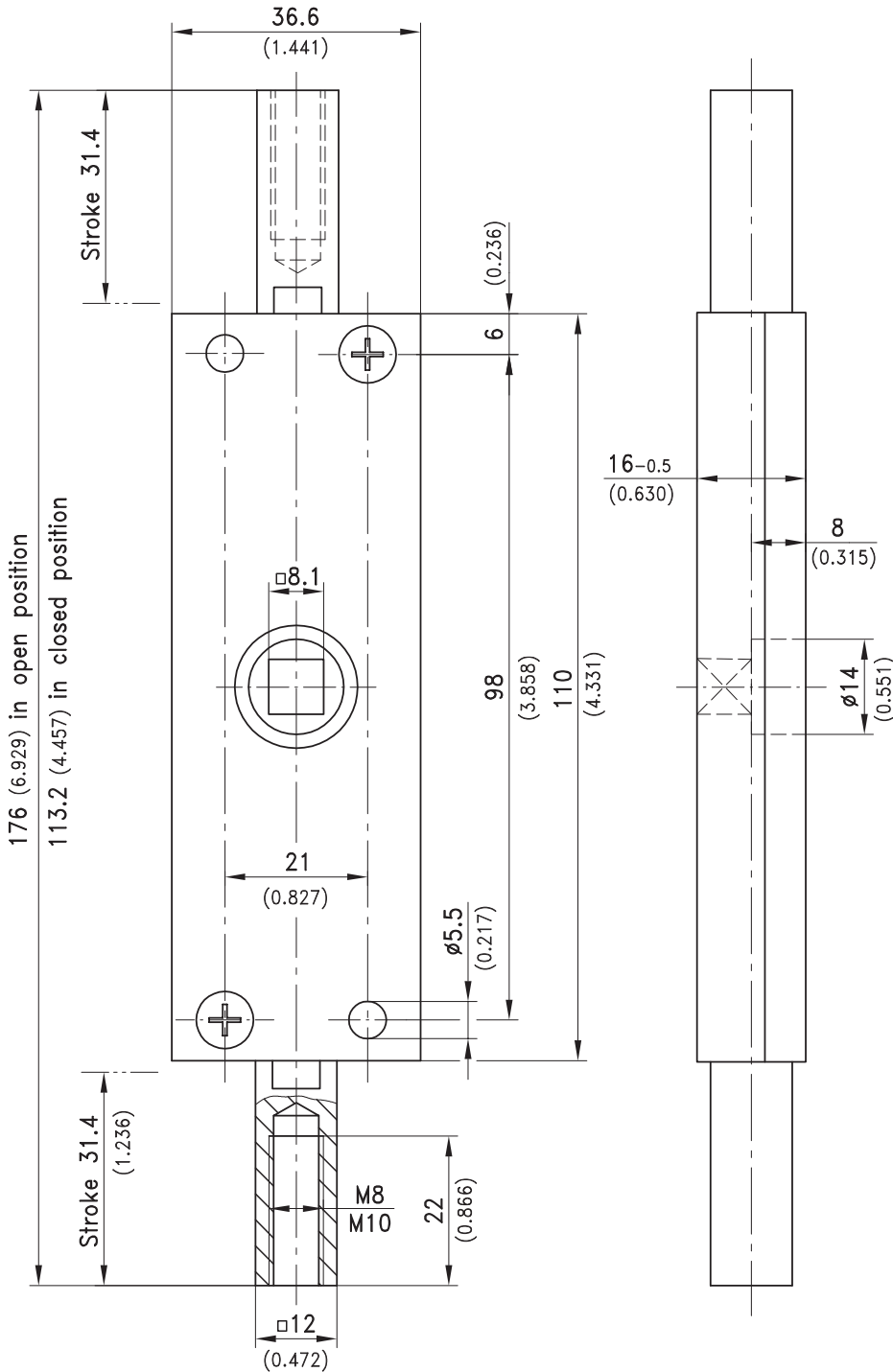
without cam



Rod Latch without central cam with 31.4mm (1.236) stroke at 180° rotation.
 • Accessories see product system 1-400, wing handles see product system 2-300, T- and L-handles see product system 1-430.

Material:

- **Housing:** steel, zinc plated
- **Gear and connectors:** zinc die, chrome plated



| | Rod connection | Rod connection | see page |
|---|----------------|----------------|--------------|
| version | M8 | M10 | |
| RH door | 235-9009 | 235-9011 | |
| LH door | 235-9010 | 235-9012 | |
| Round rod $\phi 8$ threaded M8 and round rod $\phi 10$ threaded M10 | | | 03.36, 03.37 |