

# 4-390 Concealed Hinge Pr02 110°

Lift-off, for nested door, with springloaded pin

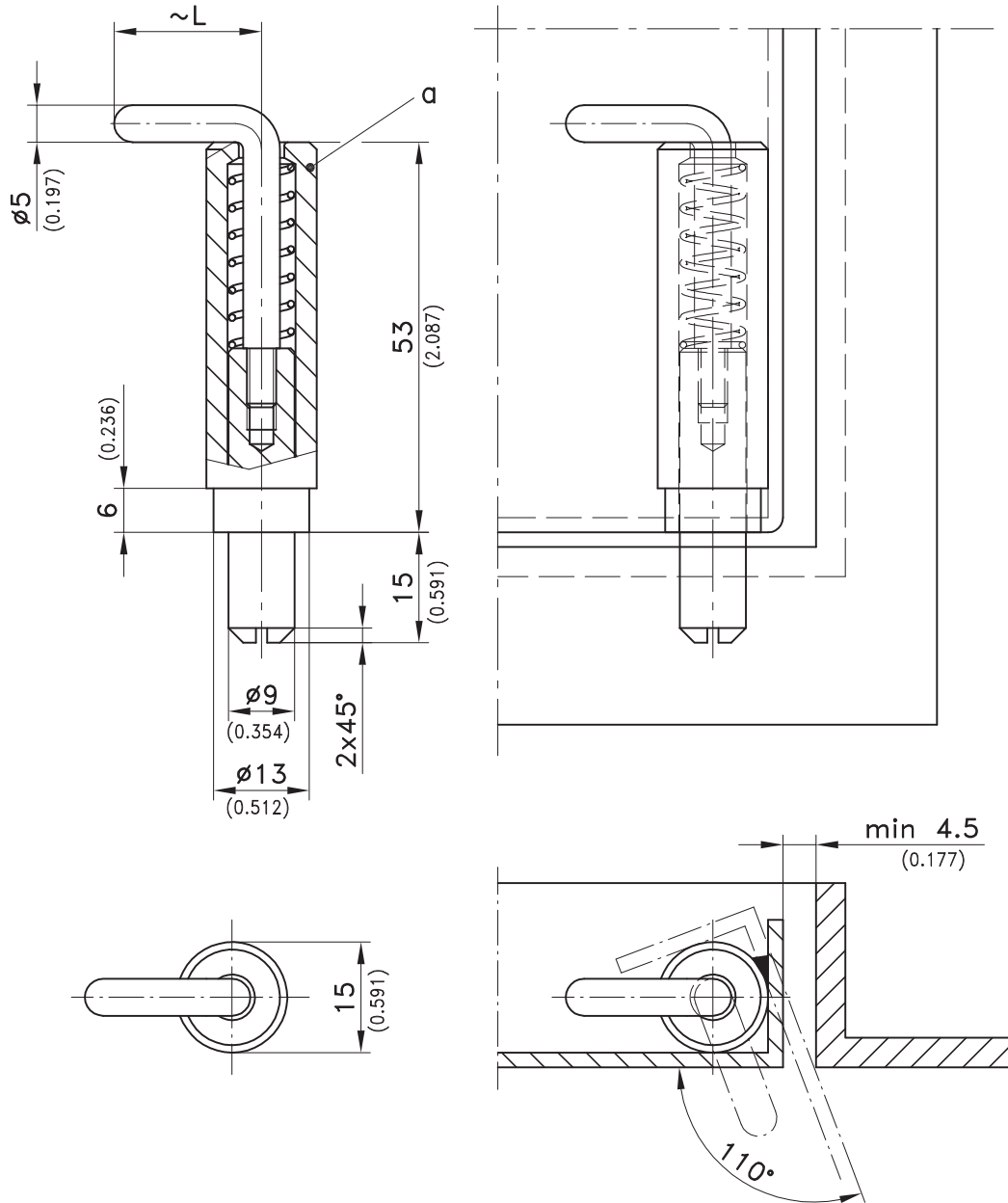


110° Hinge for RH and LH applications with springloaded pin.

- The barrel (steel, untreated) is welded-in.
- After the painting process, the slotted pivot pin, hooked pin and spring have to be assembled.
- 110° Opening angle.

**Material:**

- **Bezel:** steel, untreated
- **Pin with slot:** steel, zinc plated
- **Hook pin:** steel, zinc plated
- **Spring:** spring steel, galvanized



	Part No.	see page
a) Concealed Hinge L=20	241-9001	
a1) Concealed Hinge L=35	241-9002	
<b>Stainless steel version</b>		<b>10.65</b>