

# 4-284 Hinge Pr04 180°

Lift-off, for surface mounted door



180° Profile Hinge, screw-on or weld-on.

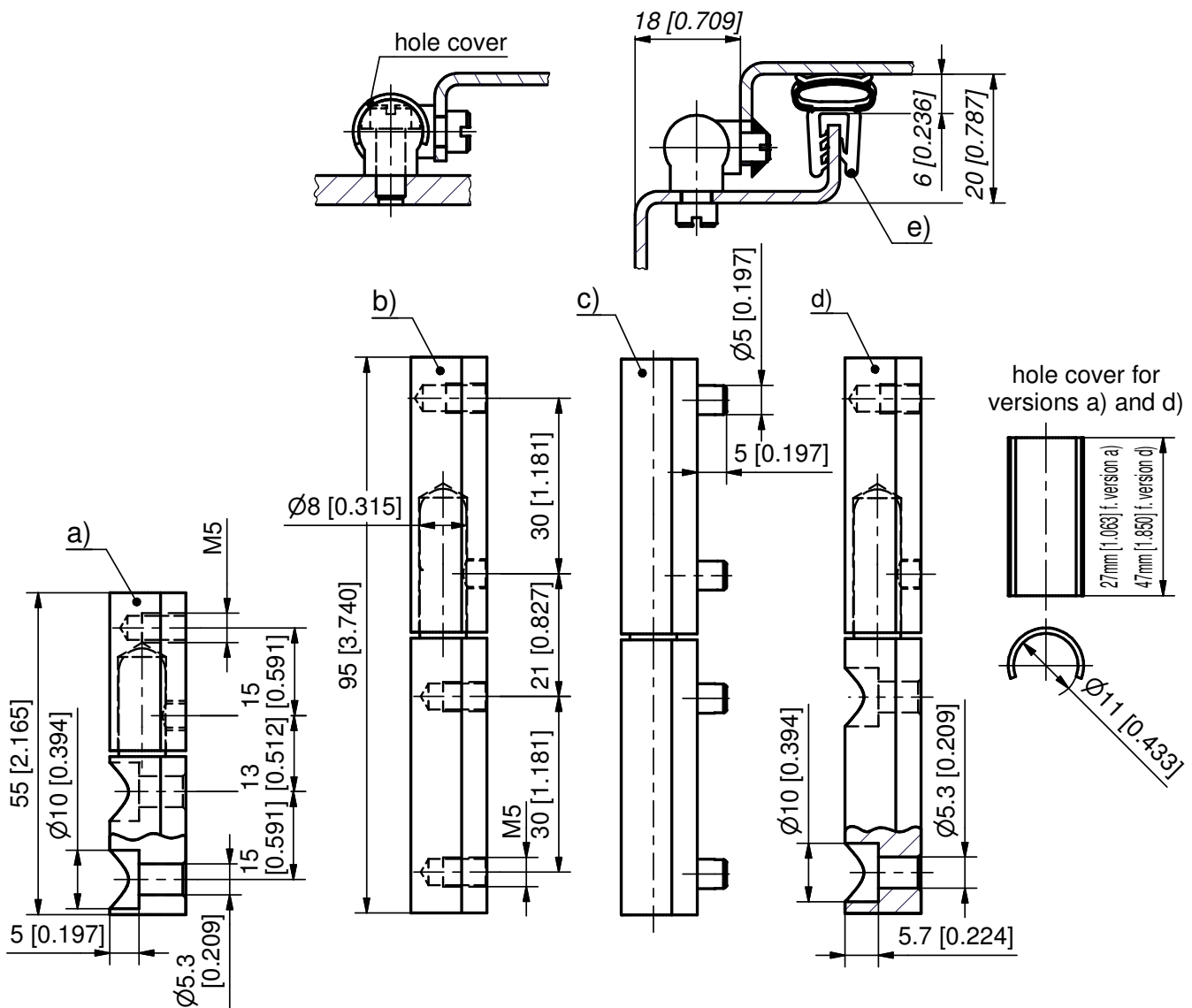
**Material:**

- Door is lift-off.
- We only show the 4 most common versions.
- Other versions on request.
- 180° Opening angle.
- **Attention: The covers for version a) and d) have extremely sharp edges. Injury Risk!**

- **Hinge parts:** steel, zinc plated
- **Covers:** stainless steel AISI 304



## Examples of application



version	Description	Part No.	see page
a)	Length 55/2.165 with M5 thread in female part and holes 5.3/0.209 in male part, supplied with 2 stainless steel hole covers	242-9001	
b)	Length 95/3.740 threaded M5	242-9101	
c)	Length 95/3.740 with weld-on stubs	242-9102	
d)	Length 95/3.740 with M5 thread in female part and holes 5.3/0.209 in male part, supplied with 2 stainless steel hole covers	242-9103	
e.g. Clip-on profile		209-0201	07.19