

7-166 Concealed Hinge Pr03 120°

door bending 25mm, for surface mounted door, door can be removed to the front, stainless steel AISI 304



120° Concealed hinge.

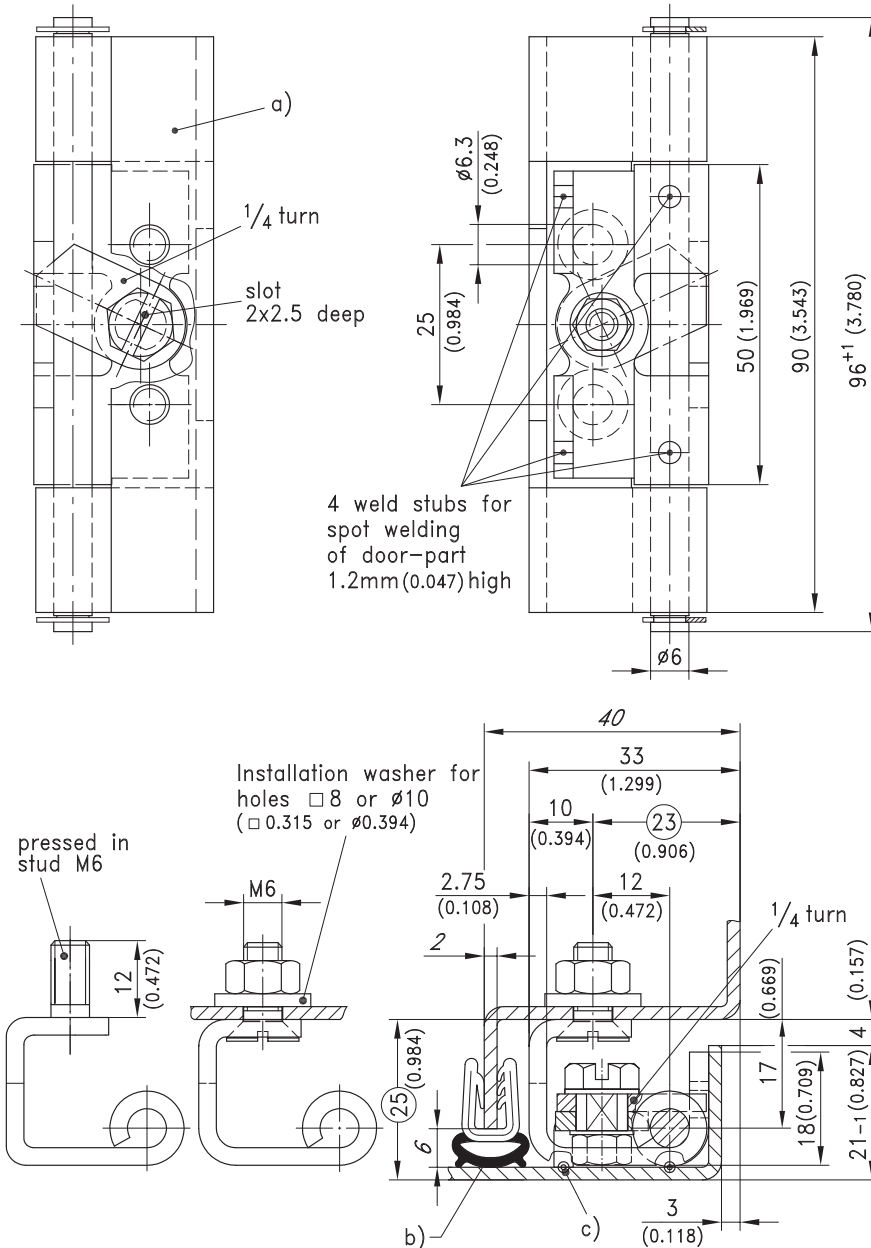
- RH or LH application.
- By rotating the 1/4 turn, the pivot pin is released and the door can be removed by pulling it to the front.

Material:

- **Frame-part, quarter turn, pin and installation washer:** stainless steel AISI 304



view of 180° rotated angle



version	Frame holes	Part No.	see page
a) Frame-part with countersunk holes for M6	$\phi 6.3$ or M6	243-9206	
a1) as a), but with installation washer	$\square 8$ or $\phi 10$	243-9207	
a2) as a) and a1), but with pressed in M6 stud	$\phi 6.3$, $\square 8$, $\phi 10$	243-9210	
b) e.g. Clip-on profile		209-0201	07.19
c) Concealed hinge			06.89