

7-250 Concealed Hinge Pr02 120°

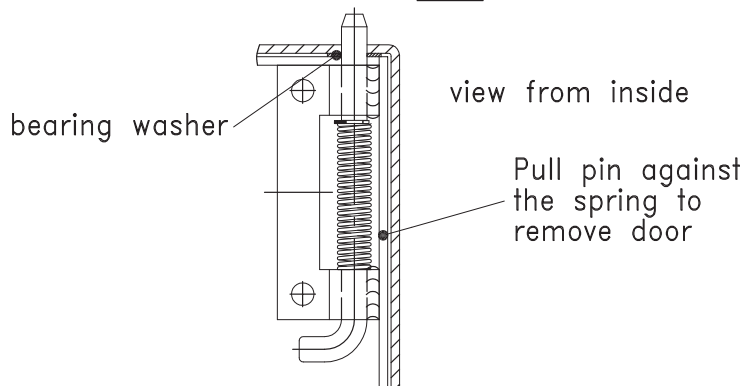
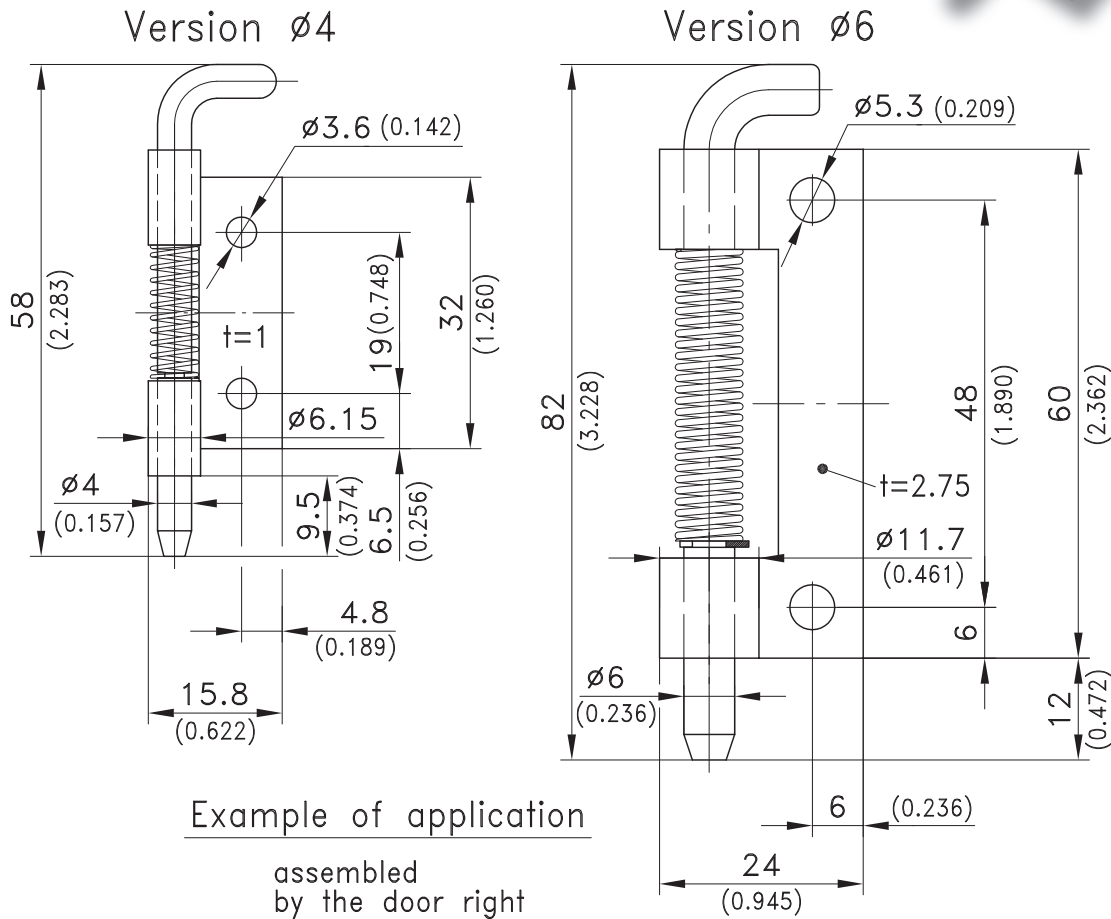
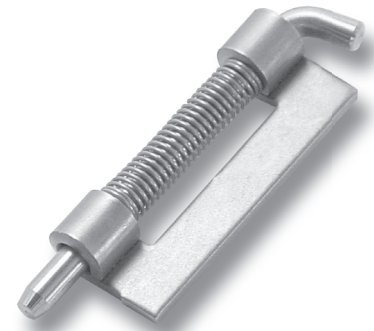
for nested door, with springloaded pin, stainless steel AISI 304



Hinge with springloaded pin, stainless steel version, weld-on and screw-on.

Material:

- Roll, pin and spring: stainless steel AISI 304



	Version Ø4	Version Ø6
loose parts (not assembled)	-	245-9112
Version RH (as drawn)	245-9003	245-9110
Version LH (mirror inverted)	245-9004	245-9111