

# 4-393SL Concealed Hinge Pr02 120° SNAP-LINE

Lift-off, for nested door, clip-in



Concealed Hinge SNAP-LINE for nested door.

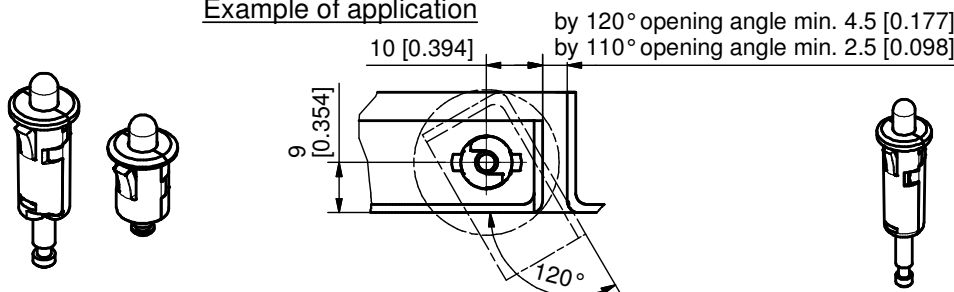
- Can be applied both at the top and at the bottom of the door.
- Small space requirement.
- A simple clip-in fitting. Door cutout and frame cutout differ.
- The spring loaded pin allows for an easy and quick installation and removal of the door.
- Application: wall-mounted 19" and light duty enclosures.

**Material:**

- **Housing:** PA, black
- **Pin:** steel, zinc plated  
a) und c)
- **Spring:** stainless steel  
b)
- **Spring:** steel, zink plated

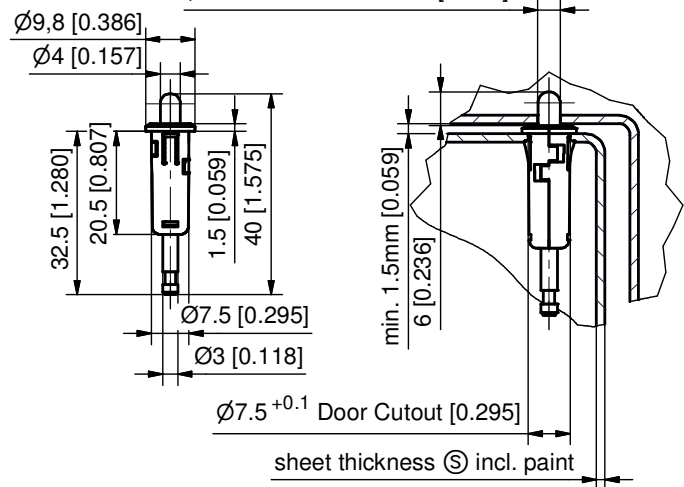
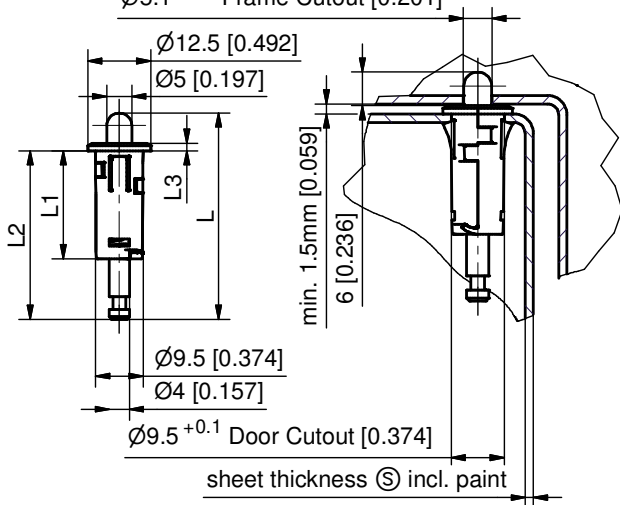


**Example of application**

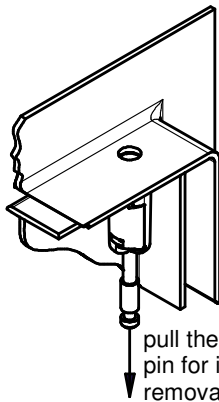


a) and b) for sheet thickness 1.4-1.6mm [0.055-0.063inch]  
 $\varnothing 5.1^{+0.1}$  Frame Cutout [0.201]

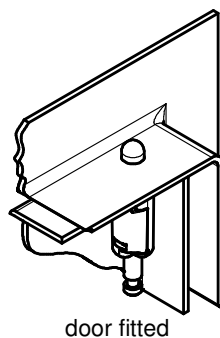
c) for sheet thickness 1.0-1.2mm [0.039-0.047inch]  
 $\varnothing 4.1^{+0.1}$  Frame Cutout [0.161]



**Operation**



pull the spring-loaded pin for installation and removal of the door



door fitted

	L	L1	L2	L3	clamping range $\text{Ⓢ}$	Part No.
a) Concealed hinge, cutout 9.5mm	41	21.5	33.5	1.5	1.4 - 1.6 mm	245-9303.00-00000
b) Concealed hinge, cutout 9.5mm*	24.7	13.2	17.7	1.2	1.4 - 1.6 mm	245-9304.07-07101
*with green handle see product system 6-210SL						
c) Concealed hinge, cutout 7.5mm					1.0 - 1.2 mm	245-9301.00-00000