

1-077 Compression Latch Pr20.1

for cutout 20.1, with fix H-dimension (depending on cam)



Elegant Compression Latch.

- Low profile design.
- The Compression Latch will be screwed into the cutout with the pre-assembled cam.
- Clamping grip 6.5mm(0.256).
- Vibration-proof.
- The colored marking on the casing top represents the opened/closed position in form of a padlock.
- The installation depth in opened position is 59mm.
- Water- and dust-tight according to IP65 DIN EN 60529.

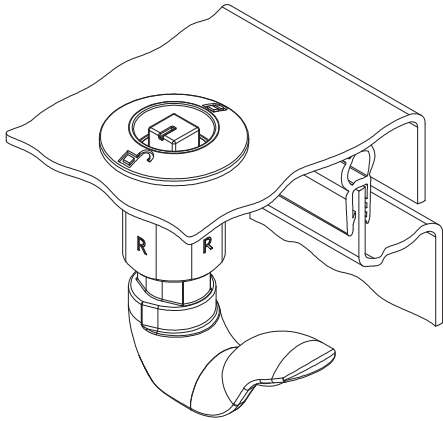
- RH and LH version.
- The H-dimension is pre-defined via different cams. Further H-dimensions upon request.
- Grounding by single sided grounding nut.

Material:

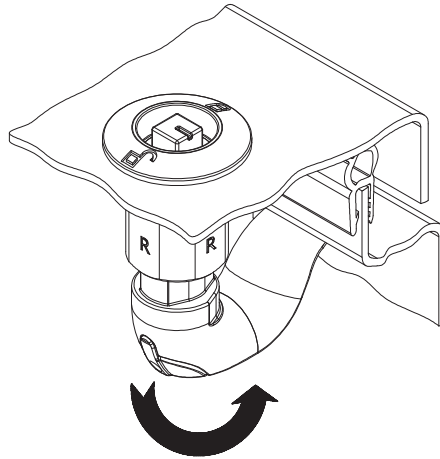
- **Housing, insert and cam:** zinc die, chrome plated
- **Plug:** PA6, black
- **O-Rings and flat external seal:** NBR
- **Serrated lock washer:** steel, zinc plated



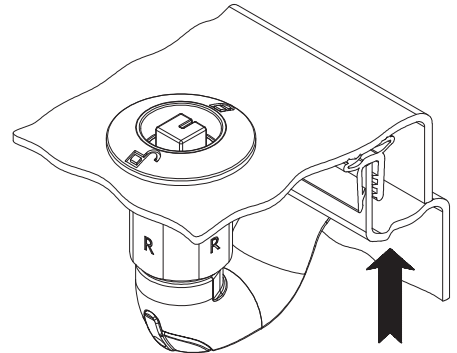
Operation



open, unlatched position



First 90° rotation: the cam latches behind the frame into the locked position. The door cannot be opened.



A further 90° rotation will pull the already latched cam 6.5mm/0.256 towards the frame: the seal is compressed, the door is latched and free of play.

| Compression Latch with Insert and assembled cam: | H in mm / inch | Part No. RH (as drawn) | Part No. LH | see page |
|--|----------------|------------------------|-------------------|---------------|
| Square 8mm | 22 / 0.866 | 248-9303.00-00022 | 248-9353.00-00022 | |
| | 24 / 0.945 | 248-9303.00-00024 | 248-9353.00-00024 | |
| | 26 / 1.024 | 248-9303.00-00026 | 248-9353.00-00026 | |
| | 28 / 1.102 | 248-9303.00-00028 | 248-9353.00-00028 | |
| | 38 / 1.496 | 248-9303.00-00038 | 248-9353.00-00038 | |
| Tringular 8mm | 22 / 0.866 | 248-9308.00-00022 | 248-9358.00-00022 | |
| | 24 / 0.945 | 248-9308.00-00024 | 248-9358.00-00024 | |
| | 26 / 1.024 | 248-9308.00-00026 | 248-9358.00-00026 | |
| | 28 / 1.102 | 248-9308.00-00028 | 248-9358.00-00028 | |
| | 38 / 1.496 | 248-9308.00-00038 | 248-9358.00-00038 | |
| Conical square with serrated lock washer | 22 / 0.866 | 248-9309.00-00022 | 248-9359.00-00022 | |
| | 24 / 0.945 | 248-9309.00-00024 | 248-9359.00-00024 | |
| | 26 / 1.024 | 248-9309.00-00026 | 248-9359.00-00026 | |
| | 28 / 1.024 | 248-9309.00-00028 | 248-9359.00-00028 | |
| | 38 / 1.496 | 248-9309.00-00038 | 248-9359.00-00038 | |
| Other H-dimension + inserts on request | XX | 248-93XX.00-000XX | 248-93XX.00-000XX | |
| Serrated lock washer, anti-rotation device and dustcap to be ordered separately | | | | 02.105 |
| Key for insert | | | | 09.10 |

1-077 Compression Latch Pr20.1

for cutout 20.1, with fix H-dimension (depending on cam)

