

7-074 Safety Quarter-Turn Pr20.1 L18

for cutout 20.1, length 18, low profile, vibration-proof, stainless steel AISI 316L

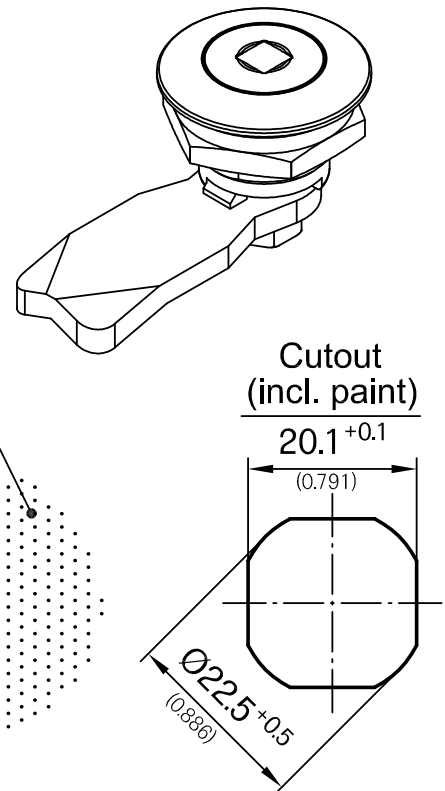
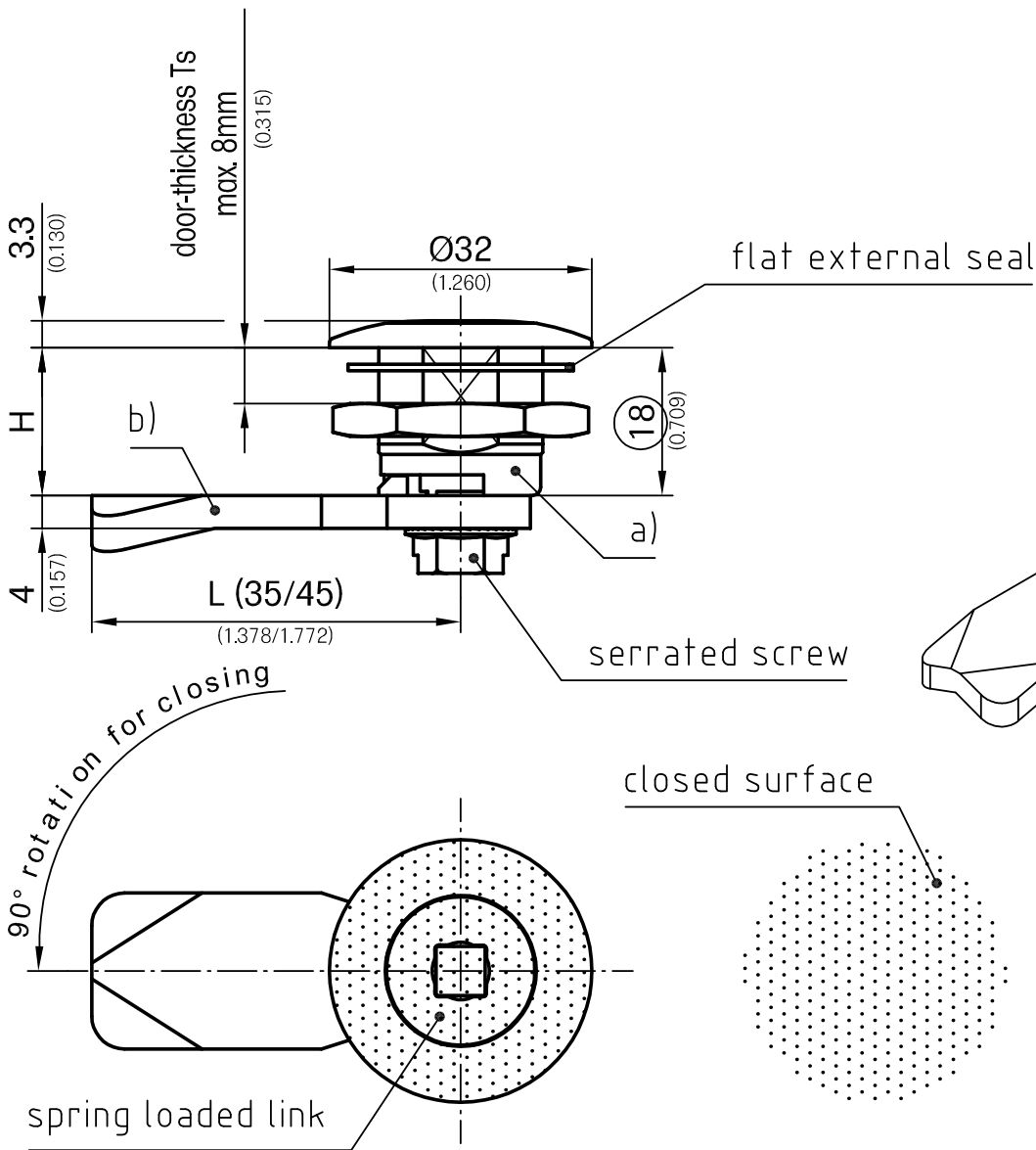


- Nicely shaped safety Quarter-Turn.
- Sleek, nearly flush bezel.
 - Vibration-proof also at high sealing pressure.
 - Fully closed external surface.
 - Water- and dust-tight according to IP65 DIN EN 60529.
 - RH or LH application.
 - A pre-assembled quarter-turn can be inserted through the cutout.
 - On request cam b) can be pre-assembled by DIRAK.

Attention: An assembled cam will have some axial play on the insert. This play is necessary to neutralize tipping of the insert at high compression forces. This tipping will squeeze the spring loaded link.

Material:

- **Housing, insert, spring loaded link and nut:** stainless steel AISI 316L
- **O-Ring and flat seal:** NBR Perbunan
- **Serrated screw and spring:** stainless steel AISI 304



	Insert	Part No.	see page
a) Safety Quarter-Turn	Square 6mm (0.236)	255-9427	
Other inserts on request.			
b) Cams			10.16