

7-260 Hinge Pr01 270°

for nested door, stainless steel AISI 304

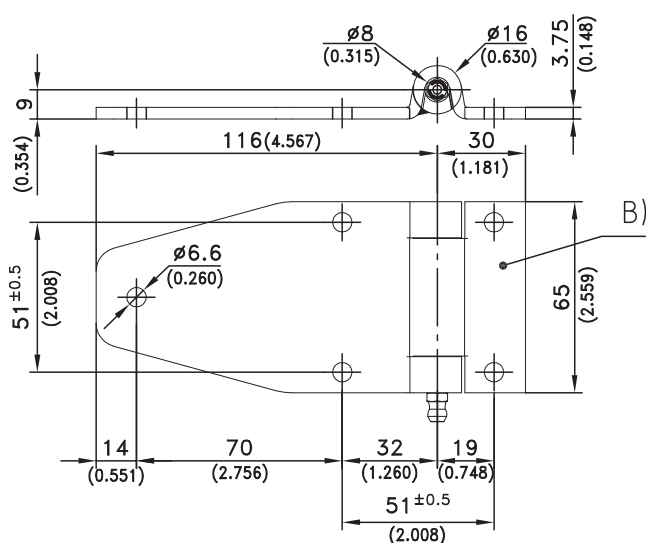
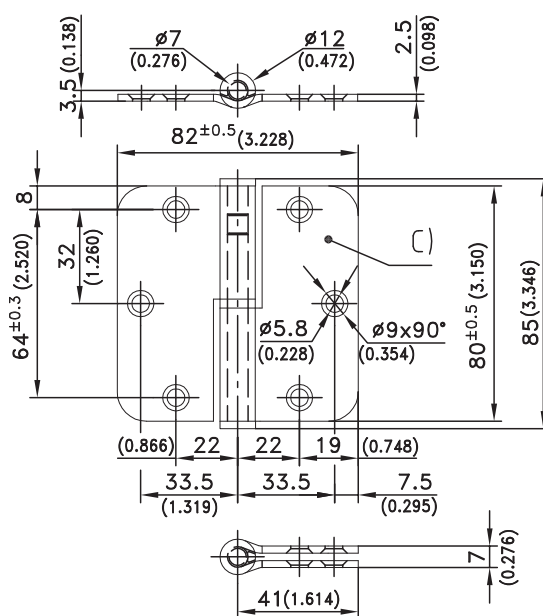
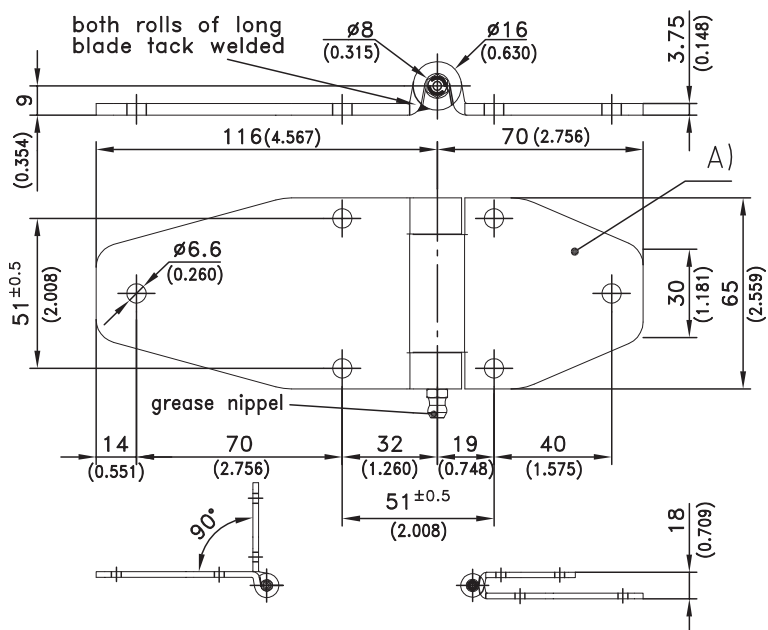


Screw-on hinge.

- Opening angle 270°.
- Version c) is a Lift-off Hinge.

Material:

- A) and B)
- **Hinge parts:** stainless steel AISI 304, matt polished
- C)
- **Hinge complete:** stainless steel, satin polished



	Part No.
A) Hinge	267-9005
B) Hinge as A but with shortened hinge half	267-9007
C) Hinge, RH (as drawn)	267-9303
Hinge LH (mirror view)	267-9304