

7-073 Handle

for padlock, stainless steel AISI 316

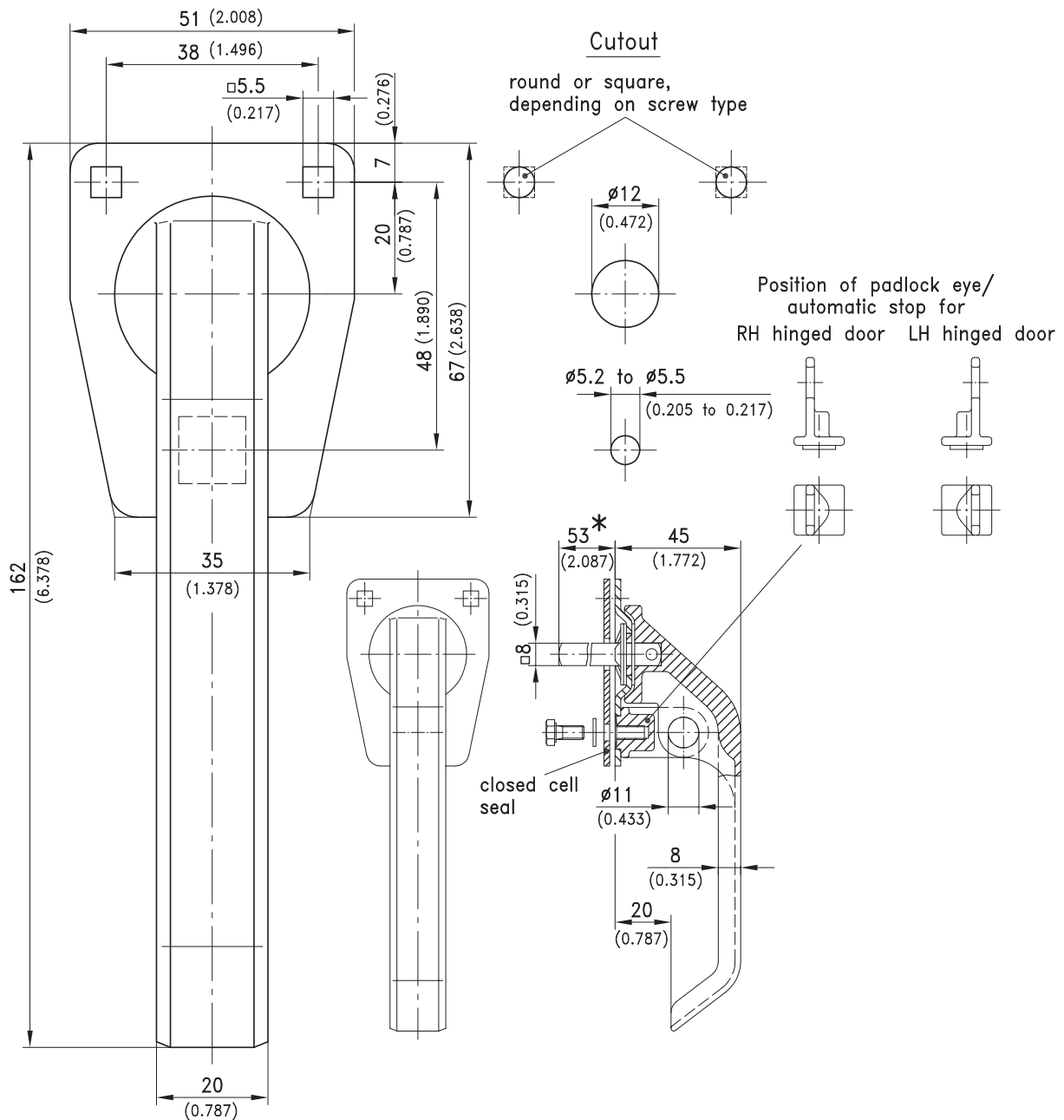


- L-Handle heavy duty for padlock.
- The padlock eye is asymmetric creating an automatic stop in closed position for RH and LH hinged doors.
 - The position of this padlock eye prevents injuries when closing.
 - Water- and dust-tight according to IP65 DIN EN 60529.
 - The seal, screw and washer are included.

Material:

- **L-Handle, eye, shaft, mounting plate, screw and flat washer:** stainless steel AISI 316
- **Gasket:** EPDM

*For longer and/or 3/8-16 UNC threaded shafts, please consult DIRAK.



Handle	Part No. 281-9001
---------------	--------------------------