

# 1-651 L-Wing-Handle Pr20.1 L18

for cutout 20.1, length 18, for padlock

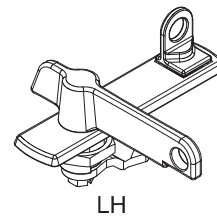
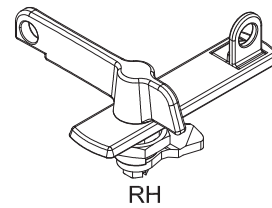
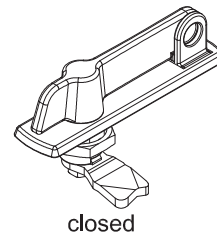
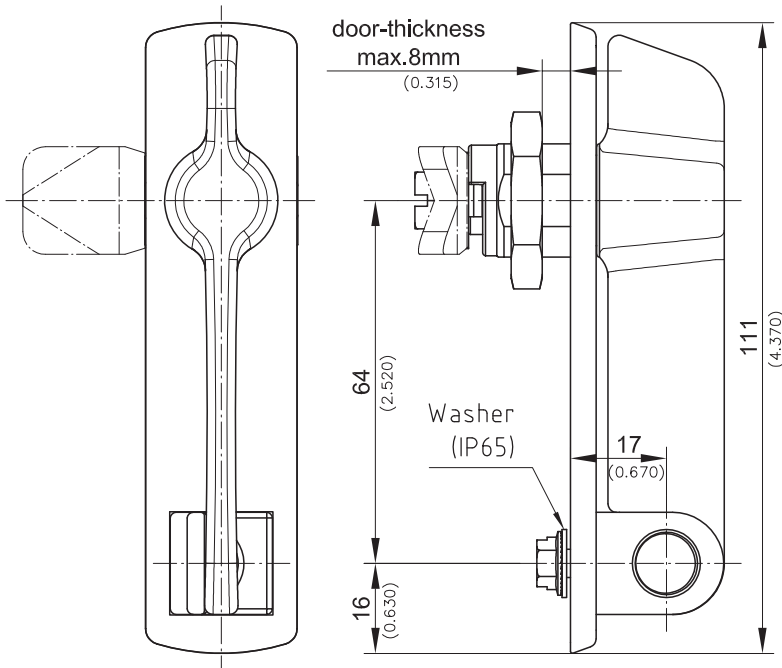
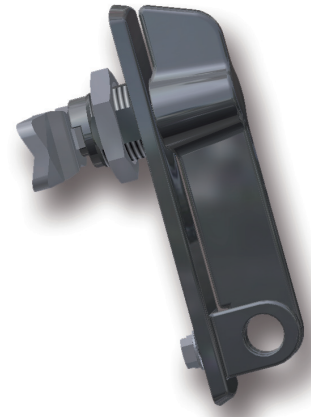


## L-Wing-Handle for padlock.

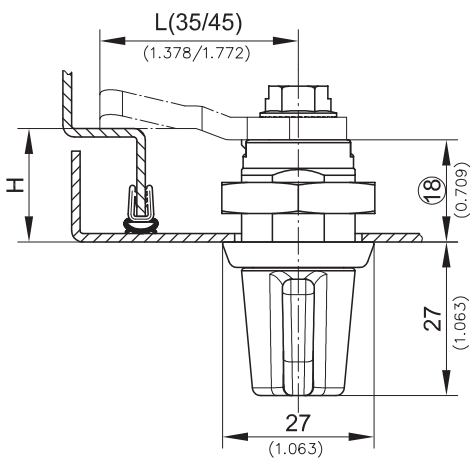
- For light applications.
- For the standard cutout and additional hole for the padlock eyelet.
- The 2-point fixing prevents tempering.
- RH and LH application.
- The eyelet for the padlock, also used as a stop, is asymmetric and can be turned for RH or LH doors (door closed).
- In closed position the wing handle is always fully vertical.

## Material:

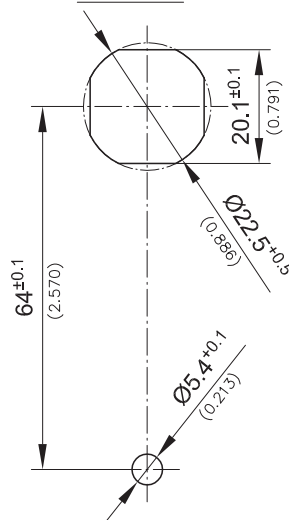
- **Housing, stop and handle:** zinc die, black
- **Nut and hex.screw:** steel
- **Internal wave washer:** steel, zinc plated



## Example of application



## Cutout



	Part No.	see page
<b>L-Wing-Handle</b>	<b>281-9101.00-00000</b>	
<b>Cam</b>		<b>02.78, 02.82</b>
<b>Optional:</b>		
<b>Water- and dust-tight according to IP65 DIN EN 60529 by:</b>		
<b>O-ring for insert</b>	<b>200-1001.00-00000</b>	
<b>Flat external seal</b>	<b>200-0904.00-00000</b>	
<b>Washer, PA natural</b>	<b>832-0125.00-00005</b>	