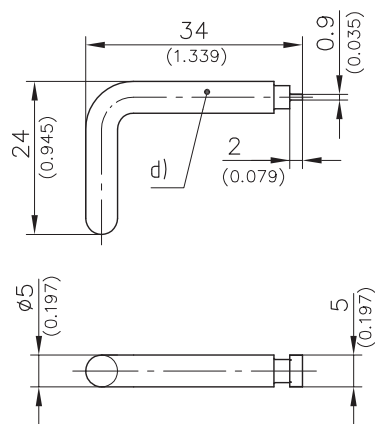
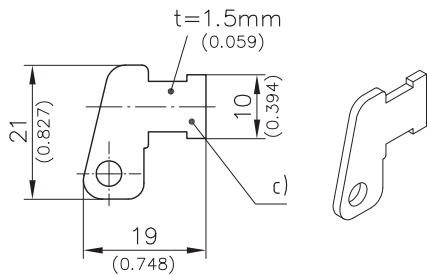
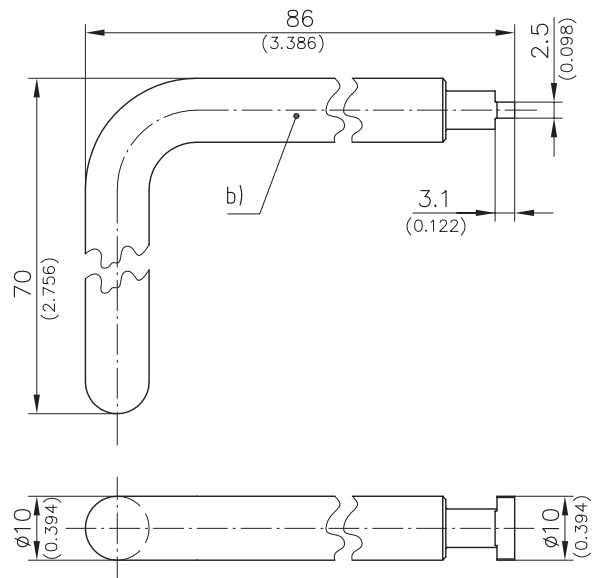
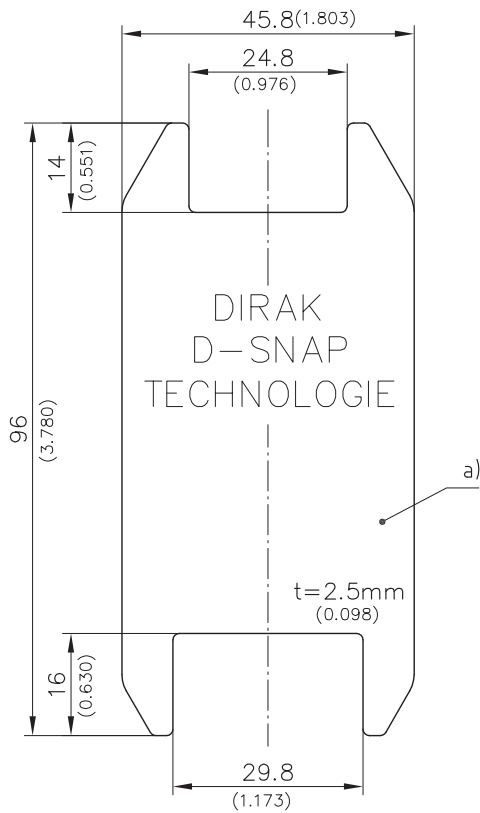


# 6-080SL Tools for Uninstallation SNAP-LINE



a) Tool for uninstallation for all SNAP-LINE Cutouts 30x8mm, 30x10mm, 30x14mm and 30x15mm and 25mm (0.984) length.

- b) and d) Tool for uninstallation for the Joiner SNAP-LINE.
- c) Tool for uninstallation for SNAP-LINE Cutout with 14mm and 15mm width.



	Material	Part No.
a) Tool for uninstallation	stainless steel	292-0306.80-02530
b) Tool for uninstallation	steel, zinc plated	292-0311.15-00000
c) Tool for uninstallation	steel, zinc plated	292-0301.15-00000
d) Tool for uninstallation	brass	292-0302.70-00000