

1-041.01SL Fastener 9.7 SNAP-LINE

for cutout 9.7, tool-less installation

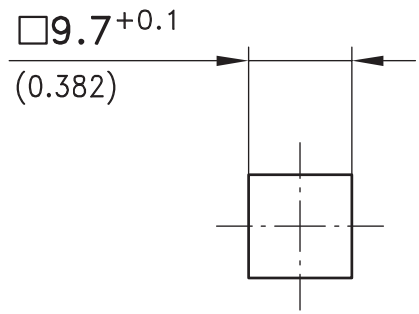
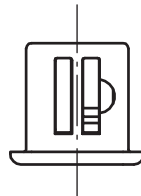
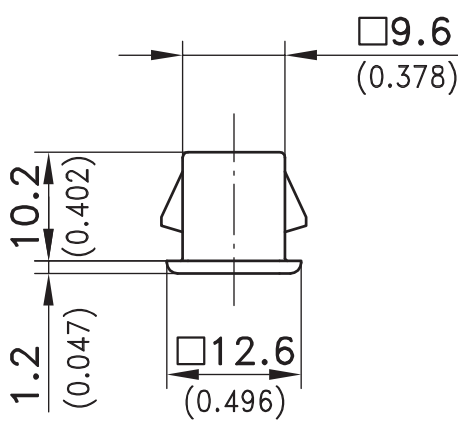
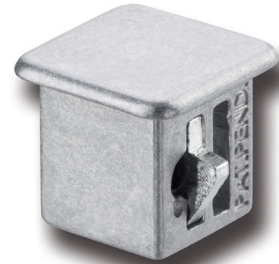


Fastener for joining flat metal sheets.

- The joining of metal sheets is achieved by pushing the Fastener into the cutouts.
- The dimension \textcircled{S} always means the thickness of both sheets together.

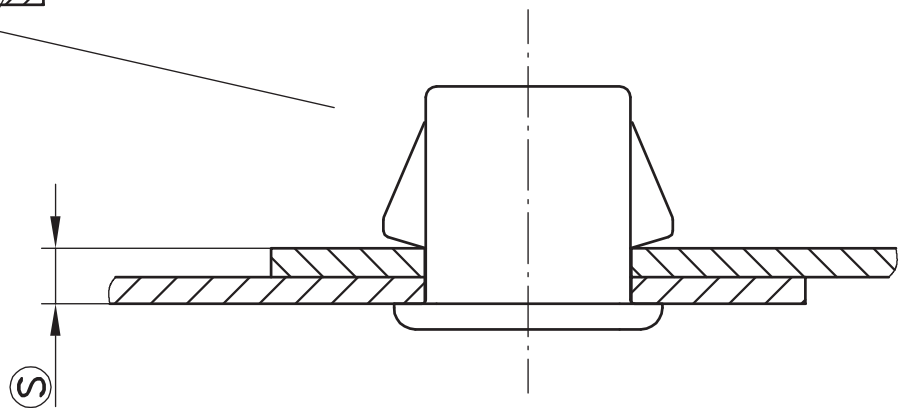
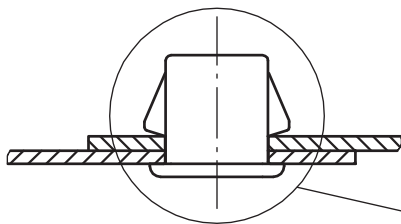
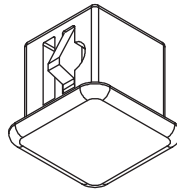
Material:

- **Housing:** zinc die, untreated
- **Snap wedges:** sintered steel, zinc plated



Cutout
incl. paint

Example of application



Fastener	clamping range \textcircled{S}	Part No.
	2.2 - 2.4	294-9104.00-02224
	2.5 - 2.7	294-9104.00-02527
	2.8 - 3.0	294-9104.00-02830
	3.1 - 3.3	294-9104.00-03133

Other \textcircled{S} - dimension on request!