

1-042SL Fastener 30x10 SNAP-LINE

for cutout 30x10, tool-less installation

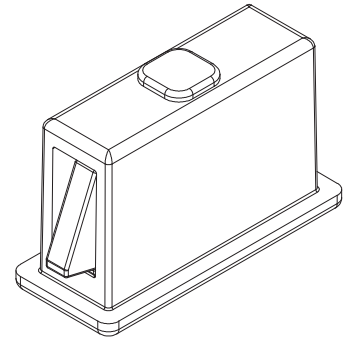
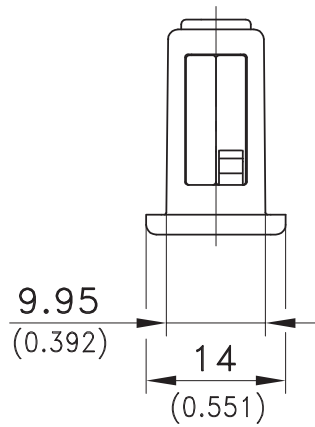
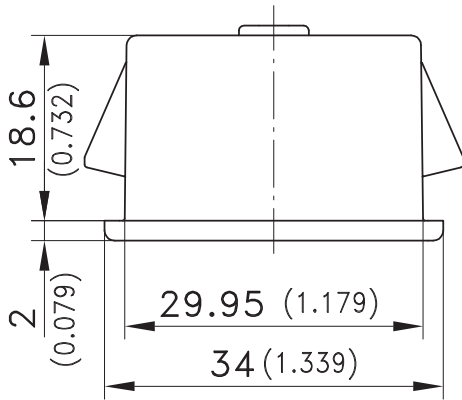


Fastener for joining flat metal sheets.

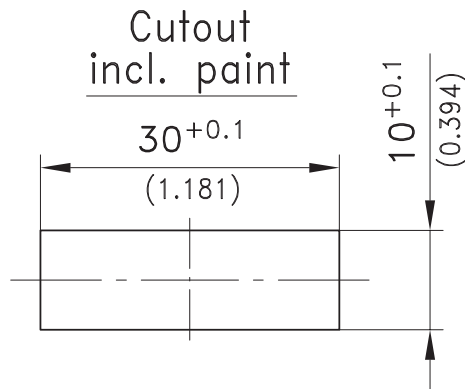
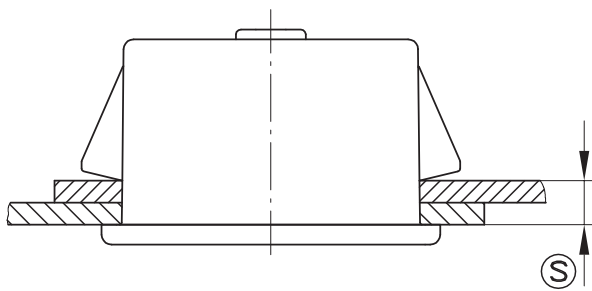
- This Fastener is suitable for thicknesses of totally 8mm.
- The joining is achieved by pushing the Fastener into the cutouts.

Material:

- **Housing:** zinc die, black
- **Snap wedges:** sintered steel



Example of application



Fastener	clamping range [Ⓢ]	Part No.	see page
	3.7 - 4.2	294-9106.00-00040	
	4.2 - 4.7	294-9106.00-00045	
	4.7 - 5.2	294-9106.00-00050	
	5.2 - 5.7	294-9106.00-00055	
	5.7 - 6.2	294-9106.00-00060	
	7.7 - 8.2	294-9106.00-00080	
Other [Ⓢ] - dimension on request!			
Cover for cutout 30x10mm		292-0401.00-03010	01.110, 01.111
Reinforcement plate for cutout 30x8 and 30x10mm		292-0702.15-01030	01.112
Tool for uninstallation		292-0306.80-02530	01.113