

# 3-310 Swinghandle FS

for flat rods, OFFSET-DUO-3, for extremely NARROW frame width



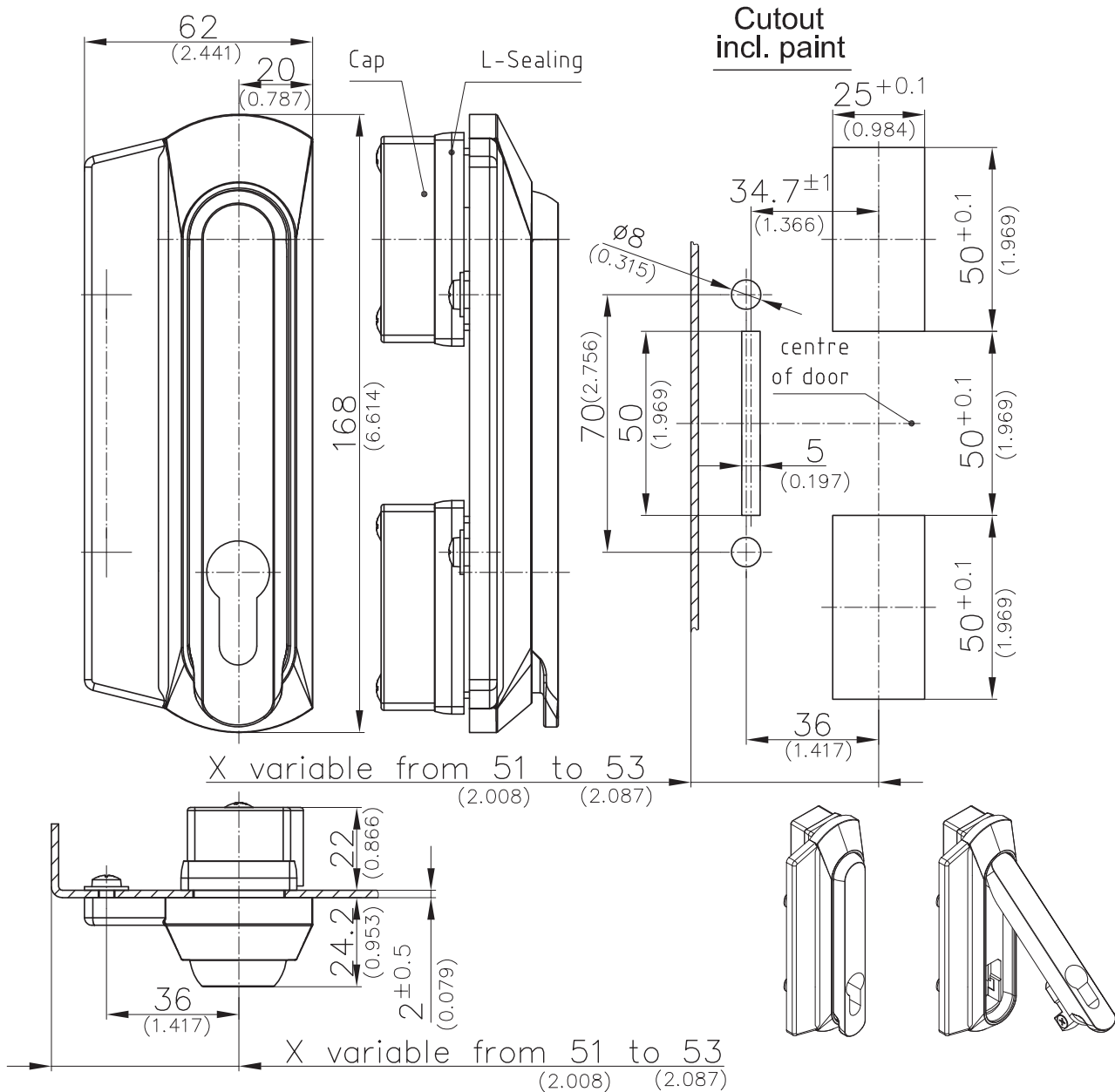
Swinghandle system OFFSET-DUO-3 for extremely NARROW frame width can be used to control the rod latch systems see product system 3-311.

- The Swinghandle controls the rod-slider, which is situated on the outer door-skin.
- At the very door-flange, outside the sealing area, this slider controls the latching rod-system.
- This now allows frame-widths of only 30mm.

- The symmetrical rods allow two-, three- or multi-point latching (see product system 3-311).
- Water- and dust-tight according to IP65 DIN EN 60529.

**Material:**

- **Swinghandle and dish:** PA, black
- **Cap sealing:** NBR
- **Locking slider:** steel, zinc plated
- **Swinghandle pinion:** zinc die



version	Part No.	see page
a) Swinghandle System RH (as drawn)	307-9003	
a1) Swinghandle System LH	307-9004	
<b>Rods and Accessories</b>		<b>04.38, 04.39</b>