

1-083SL Quarter-Turn Pr32x20 L18 SNAP-LINE

for cutout 32x20, length 18, for inserts, tool-less installation



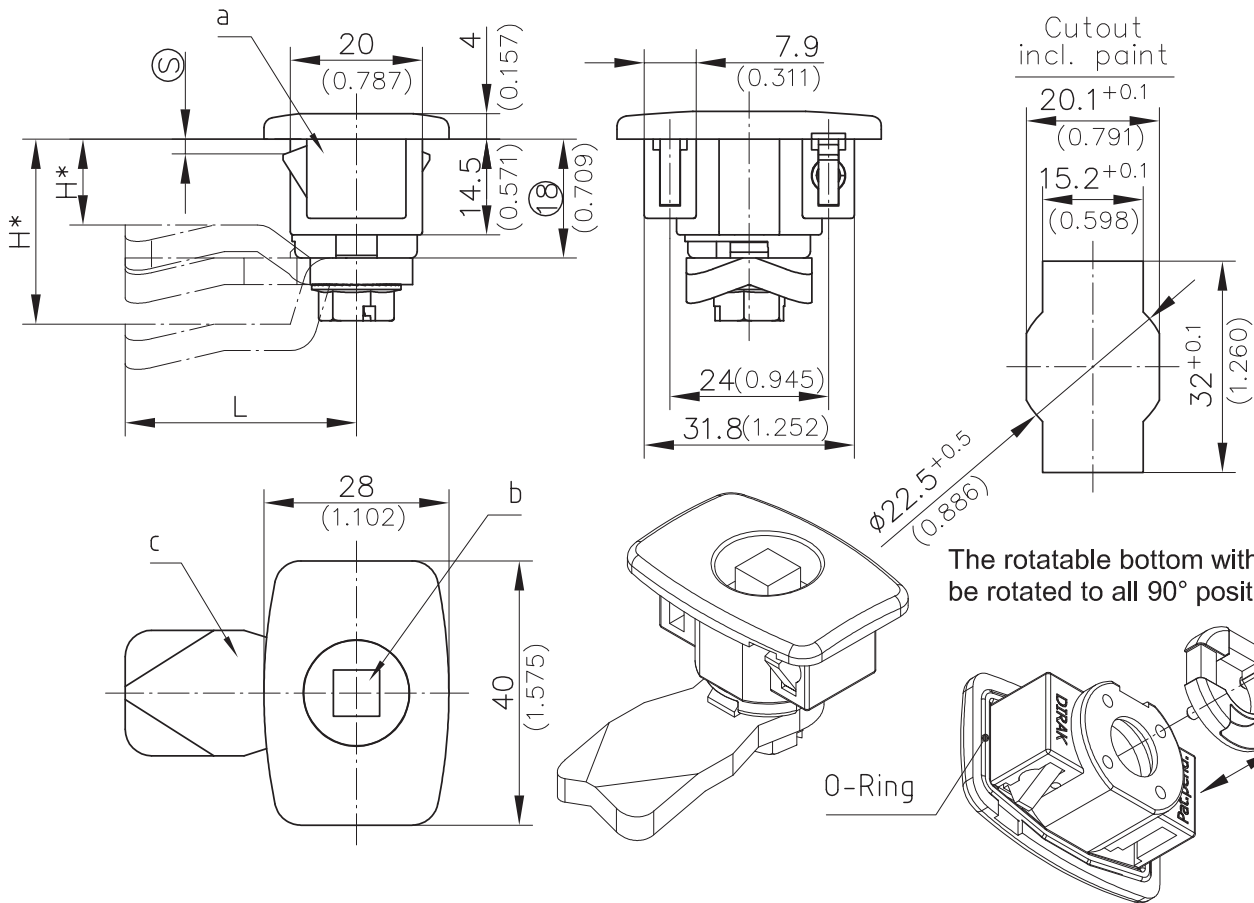
Elegant, flush Quarter-Turn for Snap-in installation into cutout 32x20.1mm.

- Pre-assembled Quarter-Turn can easily be snapped-in.
- Vibration-proof.
- Blind installation.
- Rectangular cutout guarantees a perfect alignment.
- LH and RH application (bottom with 90°-stop can be rotated).
- Pre-assembly upon request.

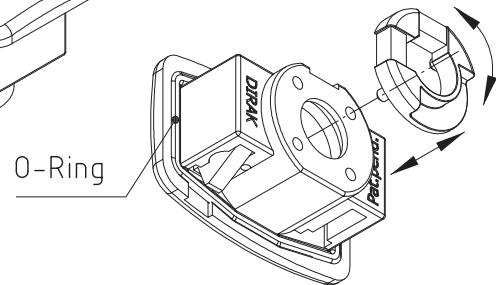
- Water- and dust-tight according to IP65 DIN EN 60529 by O-rings (are included).
- Grounding see d).
- **Attention: H-dimension of the cam $\geq 12\text{mm}$ (0.472)!**

Material:

- **Housing:** PA, black or zinc die, chrome plated
- **Snap wedges:** sintered steel
- **O-Ring:** NBR, black



The rotatable bottom with stop can be rotated to all 90° positions.



	clamping range $\text{\textcircled{S}}$	PA, black	zinc die, chrome plated	see page
a) Housing	1.0 - 1.7	406-9005.00-00013	406-9006.00-00013	
	1.3 - 2.0	406-9005.00-00016	406-9006.00-00016	
	1.5 - 2.2	406-9005.00-00018	406-9006.00-00018	
	1.8 - 2.5	406-9005.00-00021	406-9006.00-00021	
	2.3 - 3.0	406-9005.00-00026	406-9006.00-00026	
	2.8 - 3.5	406-9005.00-00031	406-9006.00-00031	
Other $\text{\textcircled{S}}$ - dimension on request!				
b) Inserts				02.45, 02.48, 02.49, 10.16
c) Cams				02.45, 02.78, 02.82, 10.16, 10.20
c1) 3-point cams				02.78, 03.46
d) Grounding clip (not shown)		200-1101.04-00000	200-1101.04-00000	
e) Please contact DIRAK for part no. of a completely pre-assembled SNAP-LINE Quarter-Turn.				