

3-070 Swinghandle FS PrB

TRIMLINE, for cutout B, for flat rods, for cylinder, insert or padlock



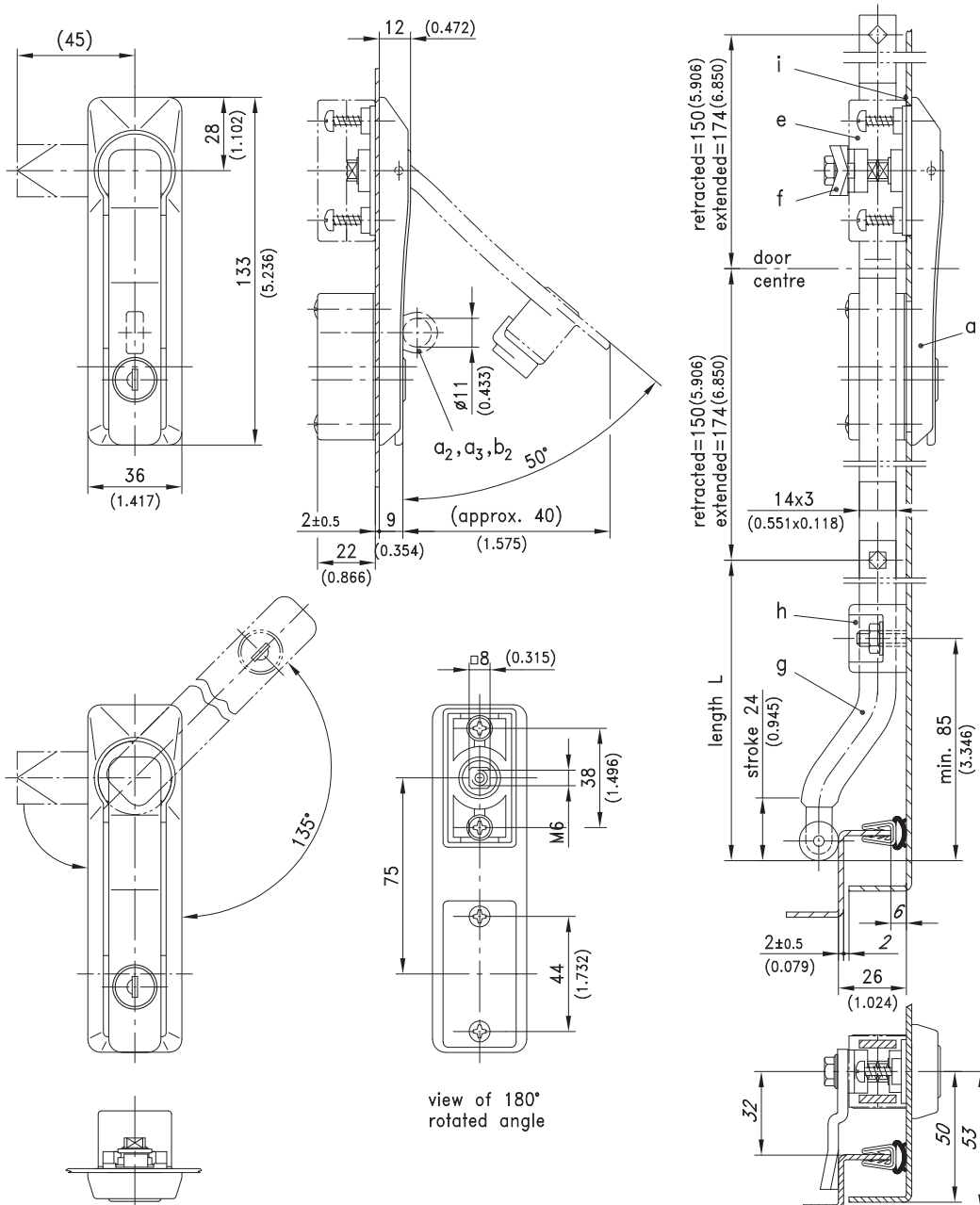
Swinghandle TRIMLINE for Rod Latch and Flat Rods.

- RH or LH application.
- Water- and dust-tight according to IP65 DIN EN 60529.
- Version for 3-point cam see product system 2-070.
- Detailed dimensions of the cutout PrB see product system 3-010.

Material:

- a), a1), a2) and a3)
- **Swinghandle:** zinc die, chrome plated or black
- **Dish:** zinc die, chrome plated or black or PA, black
- a2)
- **Padlock eye:** stainless steel

- b), b1) and b2)
- **Swinghandle:** zinc die, chrome plated or black
- **Dish:** zinc die, chrome plated or black or PA, black
- b2)
- **Padlock eye:** stainless steel
- c)
- **Insert:** zinc die, chrome plated
- e) and e1)
- **Rod Latch:** zinc die
- f)
- **Cam:** steel, zinc plated
- g)
- **Flat rods:** steel, zinc plated
- h)
- **Rod Guide:** PA, black
- h1)
- **Rod Guide:** zinc die
- i)
- **Grounding clip:** stainless steel
- AISI 301



3-070 Swinghandle FS PrB

TRIMLINE, for cutout B, for flat rods, for cylinder, insert or padlock

a) Swinghandle TRIMLINE with cylinder, IP65	zinc die, chrome plated	zinc die, black	Dish PA black Handle zinc die black	see page
keyed alike DIRAK 1333*	407-9005	407-9001	407-9021	
keyed alike DS200*	507-9005	507-9001	507-9021	
keyed different/mixed	407-9006	407-9002	407-9022	
a1) Swinghandle TRIMLINE for insert IP65	407-9103	407-9101	407-9117	
a2) Swinghandle TRIMLINE for cylinder + padlock eye				
keyed alike DIRAK 1333*	407-9033	407-9035		
keyed different/mixed	407-9034	407-9036		
a3) Swinghandle TRIMLINE for inserts and padlock eye	407-9113	407-9114	407-9123	
Inserts must be ordered separately, see c) Locking stub included in handle-assembly.				
b) Combined Swinghandles TRIMLINE with cylinder, IP65				
	dish:	zinc die, chrome plated	zinc die black	PA black
	handle/disc:	zinc die black	zinc die, chrome plated	zinc die, chrome plated
keyed alike DIRAK 1333*		407-9015	407-9009	407-9025
keyed alike DS200*		507-9015	507-9009	507-9025
keyed different/mixed		407-9016	407-9010	407-9026
b1) Swinghandle TRIMLINE for insert, IP65		407-9107	407-9105	407-9119
b2) Swinghandle TRIMLINE for insert + padlock eye		407-9115	407-9116	407-9124
Inserts must be ordered separately, see c) Locking stub included in handle-assembly.				
c) Inserts				03.44
d) Assembling of inserts	207-0016	207-0016	207-0016	
Please order separately:				
e) Rod Latch FS PrB, RH/LH with round rod stubs and c-clips	208-9021	208-9021	208-9021	04.14, 04.15
e1) Rod Latch FS PrB, RH/LH with square quick-fit stubs	208-9022	208-9022	208-9022	04.14, 04.15
f) Cam with screw				04.26, 04.27, 04.42
g) Flat rods				04.30, 04.31
h) Rod guide, please order 2 pcs. per rod	208-1501.03	208-1501.03	208-1501.03	04.44, 04.45
h1) Rod guide, two halves order 4 pcs. per rod	208-1502.34	208-1502.34	208-1502.34	04.44, 04.45
i) Grounding clip, see product system 3-011	208-1206.93	208-1206.93	208-1206.93	

* with stainless dust-shutter