

2-070 Swinghandle RS PrB

TRIMLINE, for cutout B, for round rods, for cylinder, insert or padlock



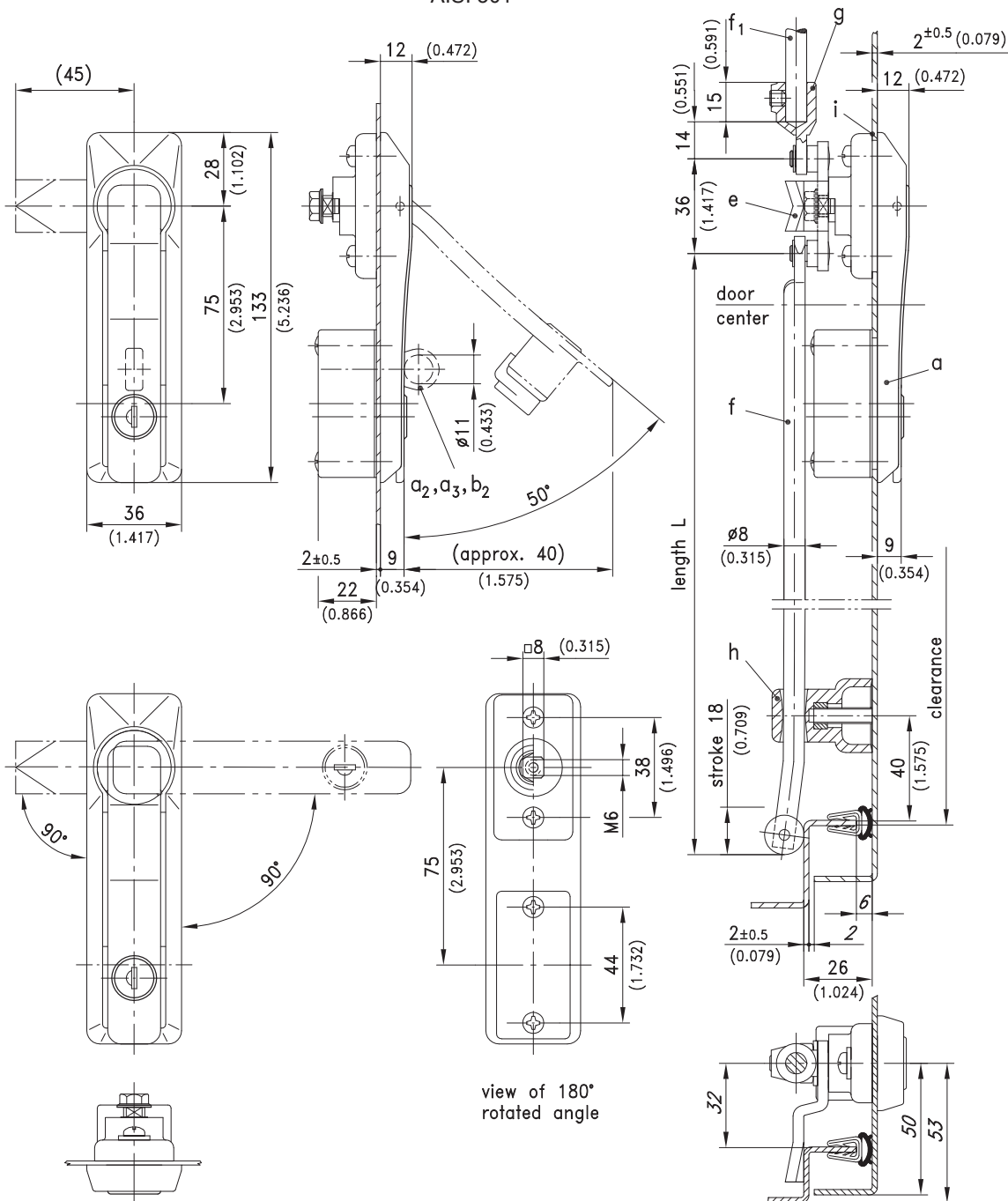
Swinghandle TRIMLINE for 3-point cam and round rods.

- RH or LH application.
- Water- and dust-tight according to IP65 DIN EN 60529.
- Version for Rod latch and Flat rods see product system 3-070.
- Detailed dimensions of the cutout PrB see product system 3-010.

Material:

- a), a1), a2) and a3)
- **Swinghandle:** zinc die, chrome plated or black
- **Dish:** zinc die, chrome plated or black or PA, black
- a2)
- **Padlock eye:** stainless steel AISI 316

- b), b1), and b2)
- **Swinghandle:** zinc die, chrome plated or black
- **Dish:** zinc die, chrome plated or black or PA, black
- b2)
- **Padlock eye:** stainless steel AISI 316
- c)
- **Insert:** zinc die, chrome plated
- e)
- **3-point cam:** steel, zinc plated f) and f1)
- **Round rods:** steel, zinc plated
- g)
- **Adapter:** zinc die, untreated
- h)
- **Rod Guide:** PA, black
- i)
- **Grounding clip:** stainless steel AISI 301



2-070 Swinghandle RS PrB

TRIMLINE, for cutout B, for round rods, for cylinder, insert or padlock

a) Swinghandle TRIMLINE with cylinder, IP65	zinc die chrome plated	zinc die, black	dish PA black	see page
keyed alike DIRAK 1333*	407-9007	407-9003	407-9023	
keyed alike DS200*	507-9007	507-9003	507-9023	
keyed different/mixed	407-9008	407-9004	407-9024	
a1) Swinghandle TRIMLINE for insert IP65	407-9104	407-9102	407-9118	
a2) Swinghandle TRIMLINE for cylinder and padlock eye				
keyed alike DIRAK 1333*	407-9029	407-9031	-	
keyed different/mixed	407-9030	407-9032	-	
a3) Swinghandle TRIMLINE for insert + padlock eye	407-9109	407-9110	407-9121	
Inserts must be ordered separately, see c)				
Locking stub included in handle assembly.				
Combined Swinghandles				
b) Swinghandle TRIMLINE with cylinder, IP65	dish: handle/ disc:	zinc die chrome plated zinc die, black	zinc die, black zinc die, chrome plated	PA, black zinc die, chrome plated
keyed alike DIRAK 1333*		407-9017	407-9011	407-9027
keyed alike DS200*		507-9017	507-9011	507-9027
keyed different/mixed		407-9018	407-9012	407-9028
b1) Swinghandle TRIMLINE for insert IP65		407-9108	407-9106	407-9120
b2) Swinghandle TRIMLINE for insert + padlock eye		407-9111	407-9112	407-9122
Inserts must be ordered separately, see c)				
Locking stub included in handle assembly.				
c) Inserts				03.44
d) Assembling of inserts	207-0016	207-0016	207-0016	
Optional:				
e) 3-point cam				03.45
e1) The zinc die-bearing also allows a 1-point lock with cams				02.78
f) Round rod with eye				02.97, 02.98
f1) Round rod without eye				02.97, 02.98
g) Adapter for round rods				02.103, 02.102
h) Rod guide for bending A26 please order 2 pcs.	200-3602.03	200-3602.03	200-3602.03	02.99, 02.101
i) Grounding clip, see product system 3-011 * with stainless dust-shutter	208-1206.93	208-1206.93	208-1206.93	