

4-152SL Hinge Pr05 SNAP-LINE 180°

door bending 20mm, for surface mounted door, tool-less installation

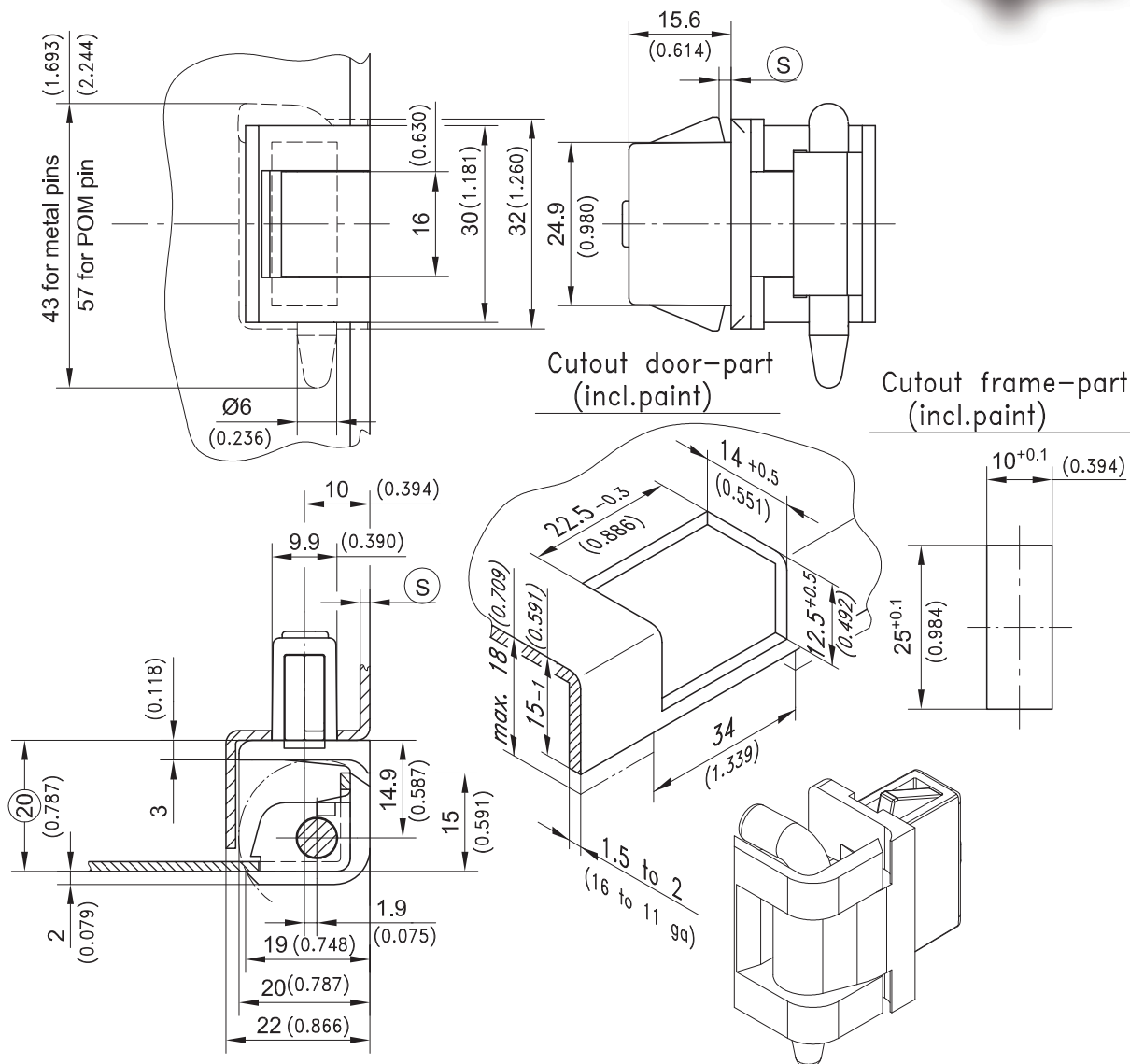


180° Hinge for surface mounted door for single cabinets.

- RH and LH application.
- Installation of the frame-part by simple push into the cutout.
- Water- and dust-tight according to IP65 DIN EN 60529 by using the O-ring (not included).
- **Attention: for light applications only.**

Material:

- **Frame-part and door-part:** zinc die, matt black
- **Pin:** steel, zinc plated, stainless steel AISI 304 or POM (product system 6-050)
- **Snap wedges:** sintered steel, zinc plated
- **O-Ring:** NBR, black



180° Hinge	Pin: steel, zinc plated	Pin: stainless steel	Pin: POM, self-securing	see page
clamping range [Ⓢ]				
1.2 - 1.7	412-9059.00-01217	412-9060.00-01217	412-9061.00-01217	
1.7 - 2.2	412-9059.00-01722	412-9060.00-01722	412-9061.00-01722	
Other [Ⓢ] - dimension on request!				
Optional:				
Water- and dust-tight according to IP65 by:				
O-ring 21x2mm	839-3770.40-02120	839-3770.40-02120	839-3770.40-02120	
Cover for cutout 25x10mm	292-0403.06-09005	292-0403.06-09005	292-0403.06-09005	01.110, 01.111
Cover for cutout 25x10mm	292-0403.06-07035	292-0403.06-07035	292-0403.06-07035	01.110, 01.111
Tool for uninstallation	292-0306.80-02530	292-0306.80-02530	292-0306.80-02530	01.113