

4-249.01SL Hinge Pr01 SNAP-LINE 180°

for nested door, tool-less installation

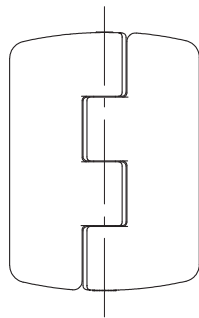
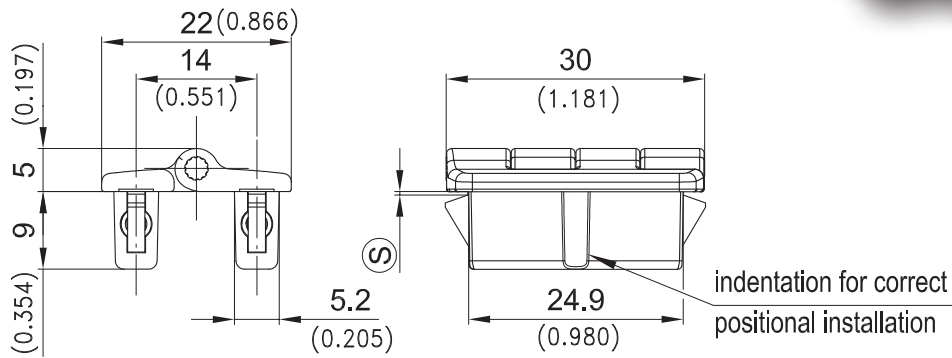


Small elegant hinge.

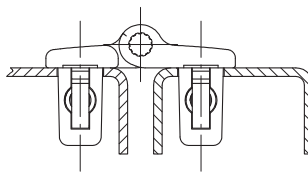
- 180° Opening angle.
- Installation by a simple push into the cutout.

Material:

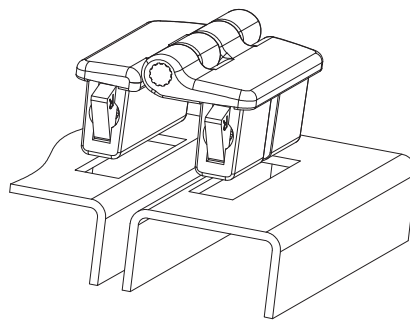
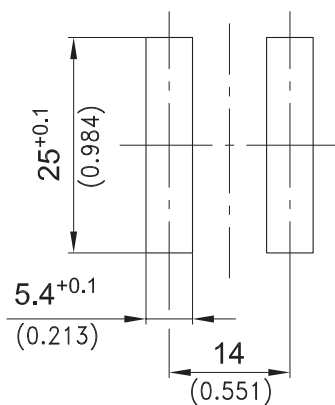
- **Hinge parts:** zinc die, matt chrome plated or black
- **Pin:** stainless steel
- **Snap wedges:** sintered steel, zinc plated



Example of application



**Cutout
incl. paint**



	clamping range [Ⓢ]	zinc die, black	zinc die, matt chrome plated	see page
180° Hinge	0.6 - 0.9	418-9301.33-00008	418-9301.40-00008	
	0.8 - 1.1	418-9301.33-00010	418-9301.40-00010	
	1.2 - 1.5	418-9301.33-00014	418-9301.40-00014	
	1.8 - 2.1	418-9301.33-00020	418-9301.40-00020	
	2.2 - 2.5	418-9301.33-00024	418-9301.40-00024	
Other [Ⓢ] - dimension on request!				
Tool for uninstallation		292-0306.80-02530	292-0306.80-02530	01.113