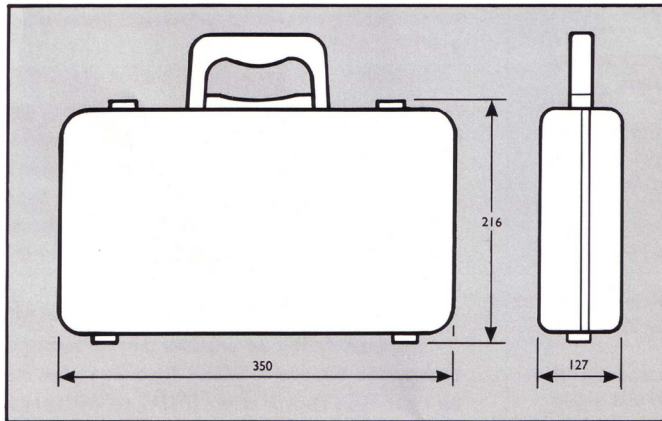


SPECIFICATION

Voltages	:	(Standard testing)	110V/240V 50Hz	
		(Transformer C.T.E)	55V-0-55V 120V-0-120V	
Input Connection	:	Input lead moulded 13A Plug top		
Test Current Injection	:	(standard testing) up to 1A @ 24V DC injection 6mA		
Meter	:	90° analog read	Test current (green scale) Time to trip (black scale)	
Current ranges	:	6 Ranges: 0-3mA 0-100mA	0-10mA 0-300mA	0-30mA 0-1Amp
Time ranges	:	2 ranges Settings	0-100mS, 0-1 sec. 0°, 180° or random	
Overall dimensions	:	216 x 350 x 127 mm (H x W x D)		
Finish.	:	Black ABS case and chrome fittings. Carrying handle		
Net weight	:	2.5Kg		

***NB When testing RCD safety transformers with C.T.E. the maximum current is 30mA on the 0-30mA range setting**



In line with our policy of constant improvements, we reserve the right to vary the specifications contained in this leaflet.

The services of our Technical support staff are available for assistance or guidance on earth leakage problems and possible solutions please contact us at: