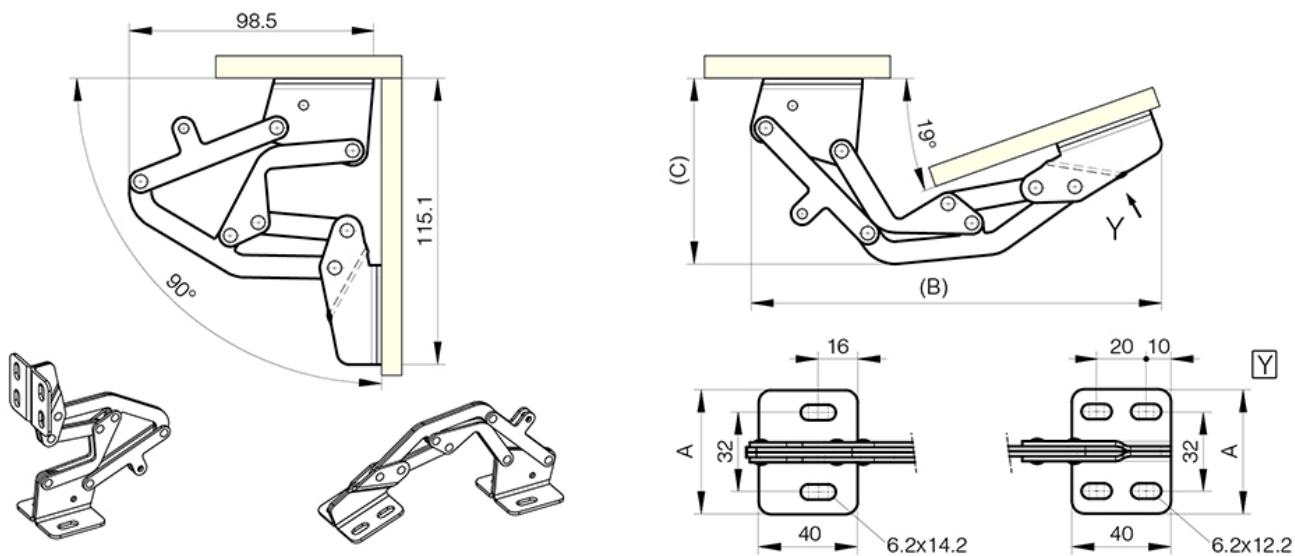


Concealed hinge - 7 axis - steel plates - 110° opening

Model : 70-1-3645



For horizontal application only.
Fixing plate in steel.



Material	steel
Finish	zinc plated
A (length)	50
B (width)	166
C	74.7
Weight (g)	208
Opening angle	110
Note	without spring
Material	steel
Functions	concealed