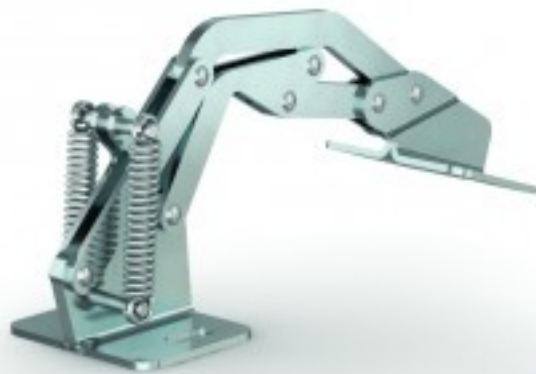
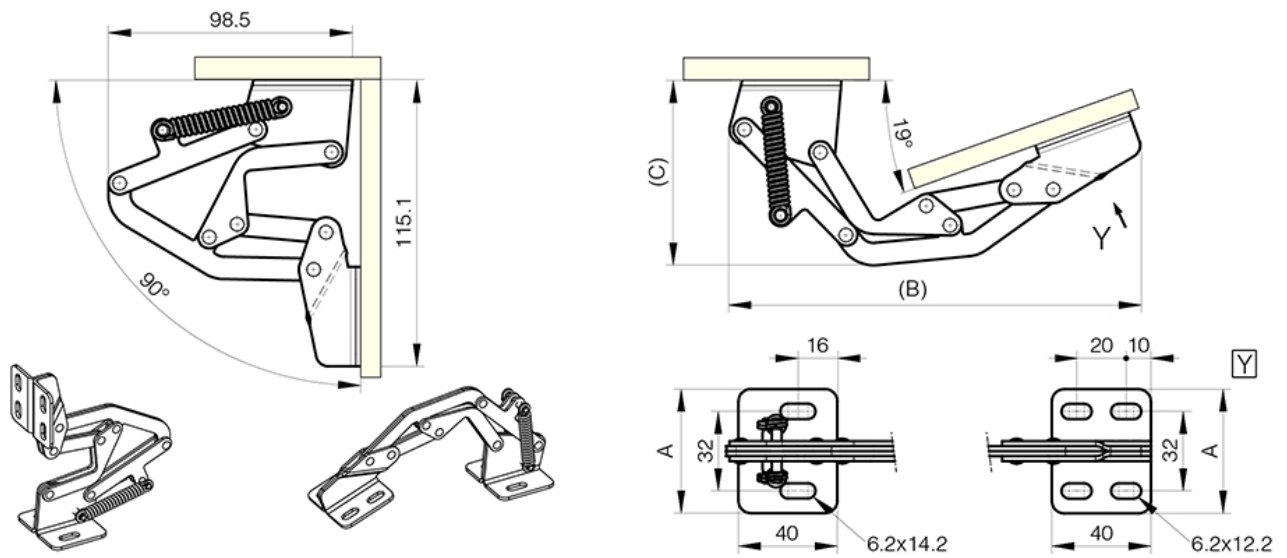


Spring loaded concealed hinge - 7 axis - steel plates - 110° opening

Model : 70-1-3646



For horizontal application only.
Fixing plate in steel.
Opening spring force: 3.2 N.m
Closing spring force: 3.8 N.m



Material	steel
Finish	zinc plated
A (length)	50
B (width)	166
C	74.7
Weight (g)	222
Opening angle	110
Note	with spring
Material	steel
Functions	concealed