

Springloaded bolt with locking system in aluminium - small dimension

Model : 16-1-4317



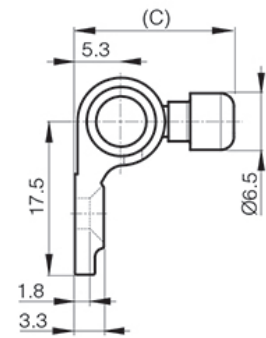
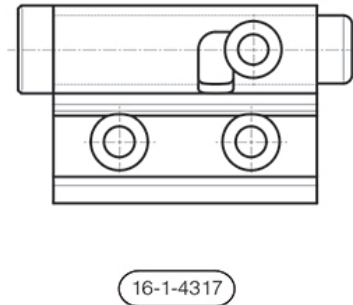
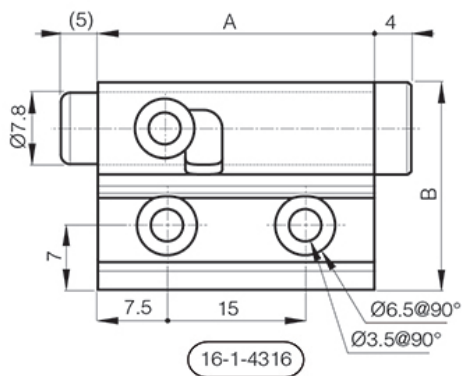
Bolt can be held back in unlocked position.

Body: clear anodised aluminium.

Shaft and handle: raw aluminium.

Cap: PE, black.

Spring: stainless steel.



Material	aluminium
Finish	clear anodised
A (length)	30
B (width)	22.5
C	18.2
Weight (g)	9
Opening type	swinging
Locking option	spring loaded
Note	type 1
Material	aluminium
Latching system	sliding latches