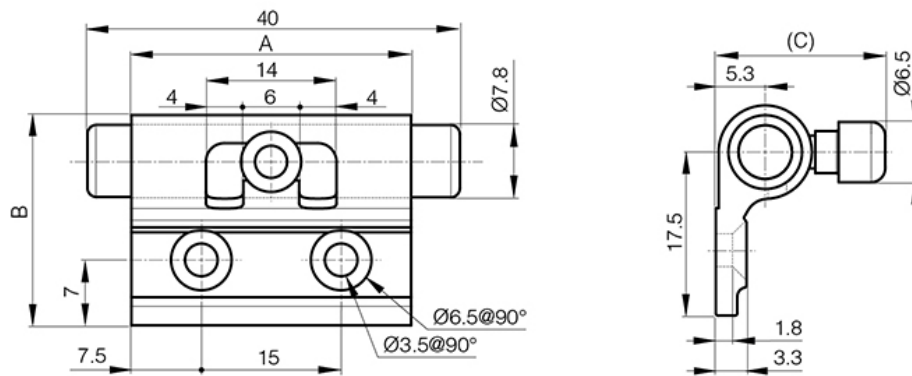


## Barrel bolt in aluminium - small dimension

Model : 16-1-4315



Body: clear anodised aluminium.  
Shaft and handle: raw aluminium.  
Shaft length when closed: 10 mm.  
No strike.



Material	aluminium
Finish	clear anodised
A (length)	30
B (width)	22.5
C	18.2
Weight (g)	11
Opening type	swinging
Material	aluminium
Latching system	sliding latches