

## Aluminium profile hinges - small dimension

Model : 72-1-4301

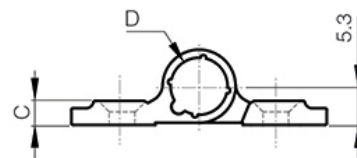
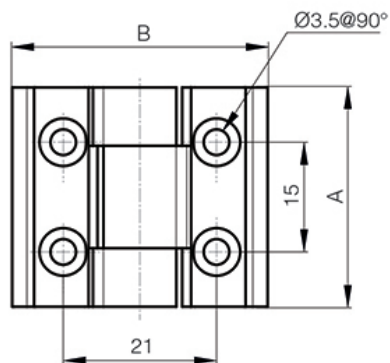


Free-swinging hinge.

It has the same footprint and design as our friction, detent and spring hinges.

All are fully interchangeable.

Plastic pin.



Material	6060 T5 alu
Finish	clear anodised
A (length)	30
B (width)	35
D (pin diameter)	8
C	3.3
Weight (g)	10
Opening angle	180
Material	Aluminium
Functions	free swing hinges