

6-170 Telescopic Cover Support



Advantages

- Telescopic cover support for covers and desk-leafs.
- Automatic locking and unlocking functionality by guide mechanism.
- Guides separately riveted, locking lever made of stainless steel.
- Robust design.
- RH/ LH application.

Materials

- **Inner- and outer rails, mounting angles and cam plates:** steel, zinc plated
- **Catch lever:** stainless steel (cast)

Remarks

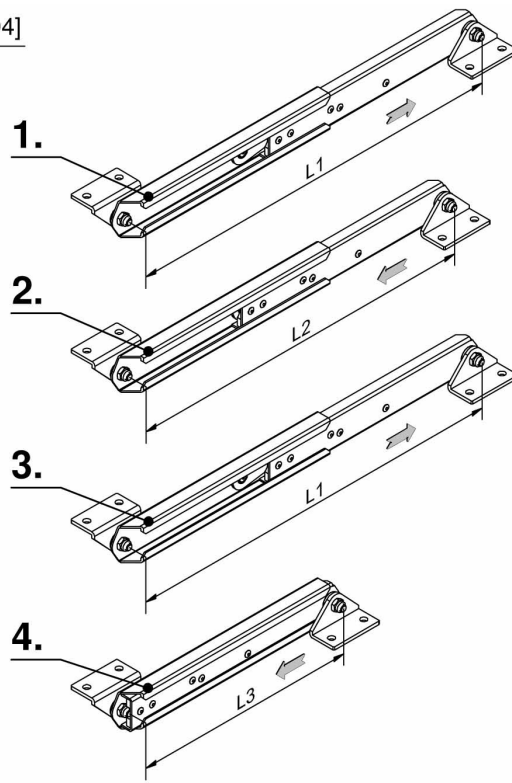
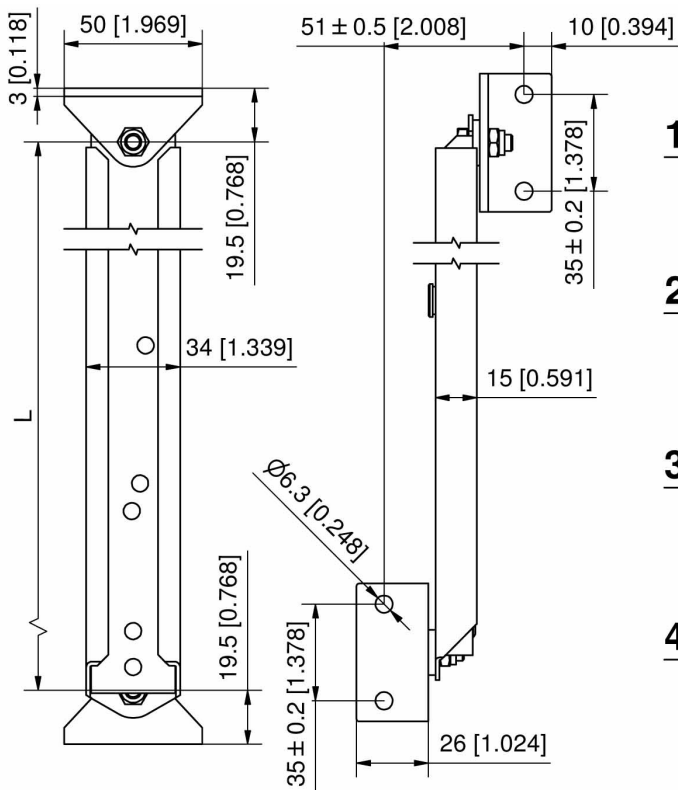
1. Alignment of the locking lever by complete extension of the telescopic cover support.
2. After retraction of 3 cm the telescopic cover support snaps in securely.
3. Renewed extension brings the locking lever back into free-run position.
4. The telescopic cover support can be retracted now.

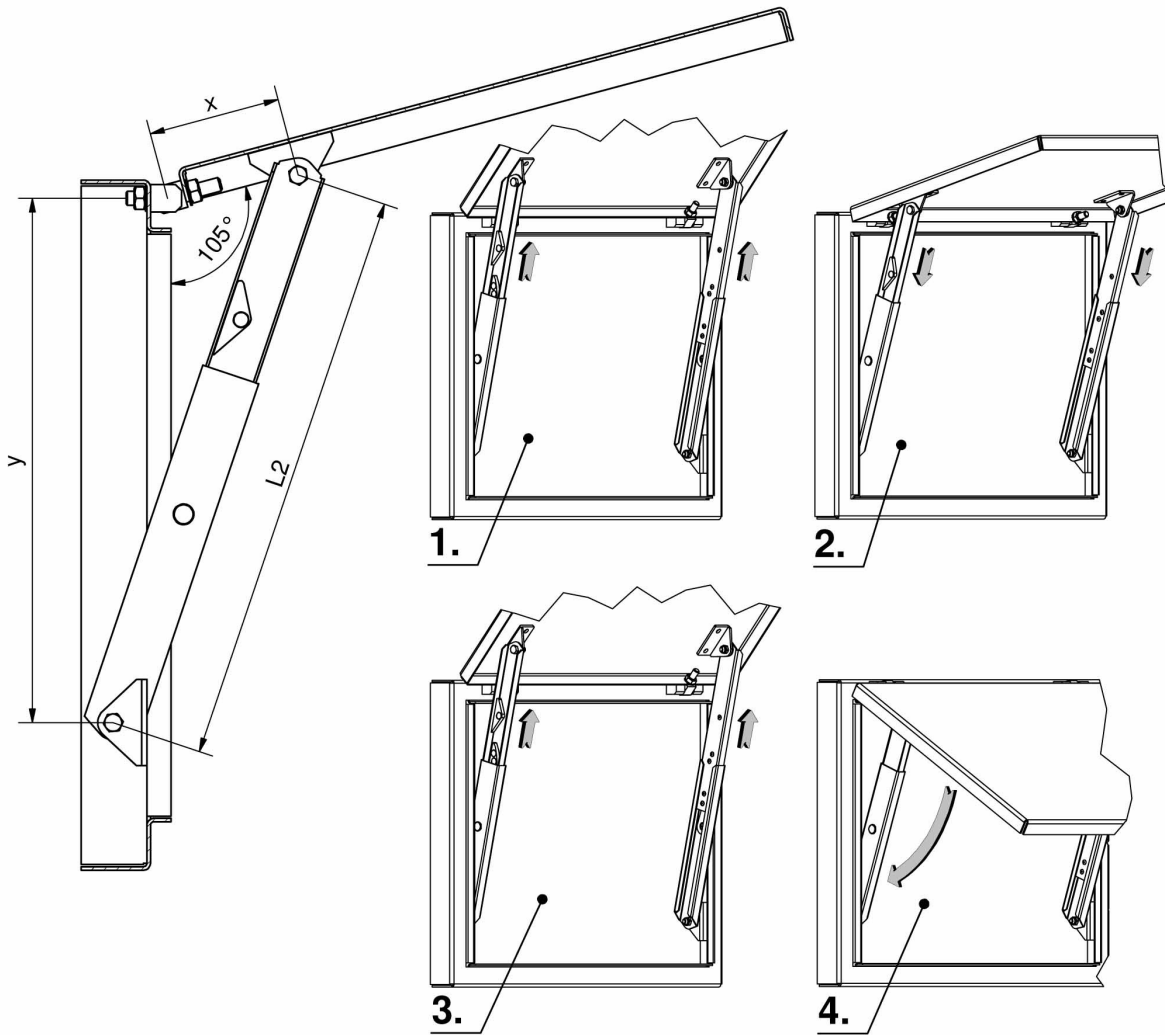
Installation dimensions and example of application see www.dirak.com



Telescopic Cover Support

Part Number	Length L1 extended	Length L2 extended, snapped	Length L3 retracted
230-9001.00-00000	335±2	365±2 mm	215±2
230-9002.00-00000	725±2	695±2	395±2





Telescopic cover support 230-9002.00-00000

Opening Angle	Length L3, retracted mm [inch]	Length L2, extended, engaged mm [inch]	Length L1, extended mm [inch]	approx. Dimension y mm [inch]	approx. Dimension x mm [inch]
90°	395±2 [15.551]	695±2 [27.362]	725±2 [28.543]	653 [25.709]	220 [8.661]
105°	395±2 [15.551]	695±2 [27.362]	725±2 [28.543]	610 [24.016]	200 [7.874]
120°	395±2 [15.551]	695±2 [27.362]	725±2 [28.543]	582 [22.913]	180 [7.087]
135°	395±2 [15.551]	695±2 [27.362]	725±2 [28.543]	568 [22.362]	160 [6.299]

Telescopic cover support 230-9001.00-00000

Opening Angle	Length L3, retracted mm [inch]	Length L2, extended, engaged mm [inch]	Length L1, extended mm [inch]	approx. Dimension y mm [inch]	approx. Dimension x mm [inch]
90°	215±2 [8.465]	335±2 [13.189]	365±2 [14.370]	315 [12.402]	100 [3.937]
105°	215±2 [8.465]	335±2 [13.189]	365±2 [14.370]	298 [11.732]	85 [3.346]

- The stated dimensions are only valid in the shown assembly situation (Hinge 4-200).
- Changing the assembly situation makes own tests necessary.
- Opening angle can be varied by changing dimensions y and x.

1. For opening push into end position
2. Engaged position
3. For closing push again into end position
4. Lock