

Hinges with dual function

Spring hinges - aluminium profile

Spring hinges - aluminium profile 1.3 N.m - diameter 13



Opening spring force:

M(0°): 1.3 N.m / M(90°): 1.1 N.m / M(180°): 0.9 N.m

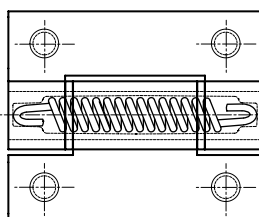
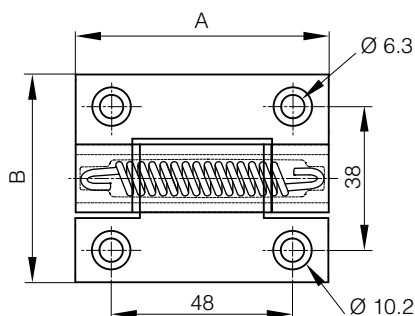
Closing spring force:

M(0°): 0.5 N.m / M(90°): 0.7 N.m / M(180°): 1 N.m

3 other versions available: free swinging, with friction or with detent mechanism.



| Part number | Material | Finish | A | B | C | D | Note | Weight (g) |
|---------------|-------------|-----------------|----|----|-----|----|---|------------|
| 72-1-4222 | 6060 T5 alu | clear anodised | 67 | 55 | 4.5 | 13 | opening spring | 67 |
| 72-1-4223 | 6060 T5 alu | black anodised | 67 | 55 | 4.5 | 13 | opening spring | 67 |
| 72-1-4296 | 6060 T5 alu | clear anodised | 67 | 55 | 4.5 | 13 | opening spring / delivered flat | 68 |
| NS 72-1-4382 | 6060 T5 alu | blue anodised | 67 | 55 | 4.5 | 13 | opening spring / delivered flat | 68 |
| NS 72-1-4383 | 6060 T5 alu | red anodised | 67 | 55 | 4.5 | 13 | opening spring / delivered flat | 68 |
| NS 72-1-4384 | 6060 T5 alu | bronze anodised | 67 | 55 | 4.5 | 13 | opening spring / delivered flat | 68 |
| NS 72-1-4385 | 6060 T5 alu | gold anodised | 67 | 55 | 4.5 | 13 | opening spring / delivered flat | 68 |
| NEW 72-1-4327 | 6060 T5 alu | clear anodised | 67 | 55 | 4.5 | 13 | opening spring / delivered flat / with M6 studs | 87 |
| 72-1-4297 | 6060 T5 alu | black anodised | 67 | 55 | 4.5 | 13 | opening spring / delivered flat | 68 |
| NEW 72-1-4328 | 6060 T5 alu | black anodised | 67 | 55 | 4.5 | 13 | opening spring / delivered flat / with M6 studs | 87 |
| 72-1-4260 | 6060 T5 alu | clear anodised | 67 | 55 | 4.5 | 13 | closing spring | 67 |
| NS 72-1-4386 | 6060 T5 alu | blue anodised | 67 | 55 | 4.5 | 13 | closing spring | 67 |
| NS 72-1-4387 | 6060 T5 alu | red anodised | 67 | 55 | 4.5 | 13 | closing spring | 67 |
| NS 72-1-4388 | 6060 T5 alu | bronze anodised | 67 | 55 | 4.5 | 13 | closing spring | 67 |
| NS 72-1-4389 | 6060 T5 alu | gold anodised | 67 | 55 | 4.5 | 13 | closing spring | 67 |
| NEW 72-1-4320 | 6060 T5 alu | clear anodised | 67 | 55 | 4.5 | 13 | closing spring / with M6 studs | 86 |
| 72-1-4261 | 6060 T5 alu | black anodised | 67 | 55 | 4.5 | 13 | closing spring | 67 |
| NEW 72-1-4321 | 6060 T5 alu | black anodised | 67 | 55 | 4.5 | 13 | closing spring / with M6 studs | 86 |



72-1-4320 & 72-1-4321
72-1-4327 & 72-1-4328

