

Hinges with dual function

Spring hinges - aluminium profile

Spring hinges - aluminium profile 0.35 N.m - diameter 13



Opening spring force:

M(0°): 0.35 N.m / M(90°): 0.24 N.m / M(180°): 0.12 N.m

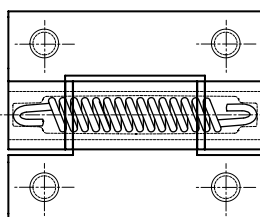
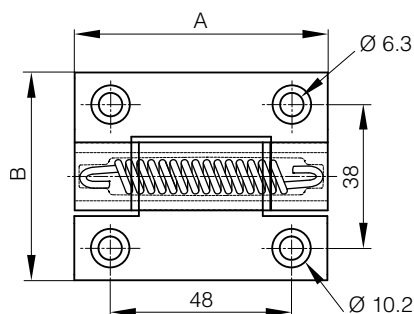
Closing spring force:

M(0°): 0.12 N.m / M(90°): 0.24 N.m / M(180°): 0.35 N.m

3 other versions available: free swinging, with friction or with detent mechanism.



Part number	Material	Finish	A	B	C	D	Note	Weight (g)
72-1-4220	6060 T5 alu	clear anodised	67	55	4.5	13	opening spring	60
72-1-4221	6060 T5 alu	black anodised	67	55	4.5	13	opening spring	60
72-1-4292	6060 T5 alu	clear anodised	67	55	4.5	13	opening spring/ delivered flat	60
NS 72-1-4366	6060 T5 alu	blue anodised	67	55	4.5	13	opening spring/ delivered flat	60
NS 72-1-4367	6060 T5 alu	red anodised	67	55	4.5	13	opening spring/ delivered flat	60
NS 72-1-4368	6060 T5 alu	bronze anodised	67	55	4.5	13	opening spring/ delivered flat	60
NS 72-1-4369	6060 T5 alu	gold anodised	67	55	4.5	13	opening spring/ delivered flat	60
NEW 72-1-4323	6060 T5 alu	clear anodised	67	55	4.5	13	opening spring/ delivered flat / with M6 studs	80
72-1-4293	6060 T5 alu	black anodised	67	55	4.5	13	opening spring/ delivered flat	61
NEW 72-1-4324	6060 T5 alu	black anodised	67	55	4.5	13	opening spring/ delivered flat / with M6 studs	80
72-1-4286	6060 T5 alu	clear anodised	67	55	4.5	13	closing spring	60
NS 72-1-4370	6060 T5 alu	blue anodised	67	55	4.5	13	closing spring	60
NS 72-1-4371	6060 T5 alu	red anodised	67	55	4.5	13	closing spring	60
NS 72-1-4372	6060 T5 alu	bronze anodised	67	55	4.5	13	closing spring	60
NS 72-1-4373	6060 T5 alu	gold anodised	67	55	4.5	13	closing spring	60
NS 72-1-4336	6060 T5 alu	clear anodised	67	55	4.5	13	closing spring / with M6 studs	79
72-1-4287	6060 T5 alu	black anodised	67	55	4.5	13	closing spring	60
NS 72-1-4337	6060 T5 alu	black anodised	67	55	4.5	13	closing spring / with M6 studs	79



72-1-4323 & 72-1-4324
72-1-4336 & 72-1-4337

