

Hinges with dual function

Spring hinges - aluminium profile

Spring hinges - aluminium profile 0.70 N.m - diameter 13



Opening spring force:

M(0°): 0.7 N.m / M(90°): 0.45 N.m / M(180°): 0.23 N.m

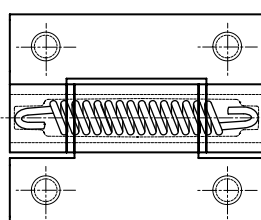
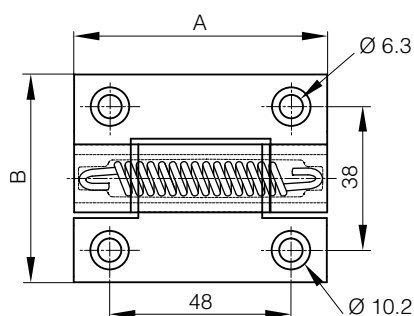
Closing spring force:

M(0°): 0.23 N.m / M(90°): 0.45 N.m / M(180°): 0.7 N.m

3 other versions available: free swinging, with friction or with detent mechanism.



Part number	Material	Finish	A	B	C	D	Note	Weight (g)
72-1-4218	6060 T5 alu	clear anodised	67	55	4.5	13	opening spring	65
72-1-4219	6060 T5 alu	black anodised	67	55	4.5	13	opening spring	65
72-1-4294	6060 T5 alu	clear anodised	67	55	4.5	13	opening spring / delivered flat	66
NS 72-1-4374	6060 T5 alu	blue anodised	67	55	4.5	13	opening spring / delivered flat	66
NS 72-1-4375	6060 T5 alu	red anodised	67	55	4.5	13	opening spring / delivered flat	66
NS 72-1-4376	6060 T5 alu	bronze anodised	67	55	4.5	13	opening spring / delivered flat	66
NS 72-1-4377	6060 T5 alu	gold anodised	67	55	4.5	13	opening spring / delivered flat	66
NEW 72-1-4325	6060 T5 alu	clear anodised	67	55	4.5	13	opening spring / delivered flat / with M6 studs	85
72-1-4295	6060 T5 alu	black anodised	67	55	4.5	13	opening spring / delivered flat	66
NEW 72-1-4326	6060 T5 alu	black anodised	67	55	4.5	13	opening spring / delivered flat / with M6 studs	85
72-1-4272	6060 T5 alu	clear anodised	67	55	4.5	13	closing spring	65
NS 72-1-4378	6060 T5 alu	blue anodised	67	55	4.5	13	closing spring	65
NS 72-1-4379	6060 T5 alu	red anodised	67	55	4.5	13	closing spring	65
NS 72-1-4380	6060 T5 alu	bronze anodised	67	55	4.5	13	closing spring	65
NS 72-1-4381	6060 T5 alu	gold anodised	67	55	4.5	13	closing spring	65
NEW 72-1-4322	6060 T5 alu	clear anodised	67	55	4.5	13	closing spring / with M6 studs	84
72-1-4273	6060 T5 alu	black anodised	67	55	4.5	13	closing spring	65
NS 72-1-4335	6060 T5 alu	black anodised	67	55	4.5	13	closing spring / with M6 studs	84



72-1-4322 & 72-1-4325
72-1-4326 & 72-1-4335

