

Hinges with dual function

Spring hinges - aluminium profile

Spring hinges - aluminium profile 1.3 N.m - diameter 13



Opening spring force:

M(0°): 1.3 N.m / M(90°): 1.1 N.m / M(180°): 0.9 N.m

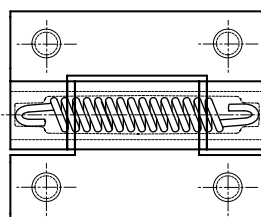
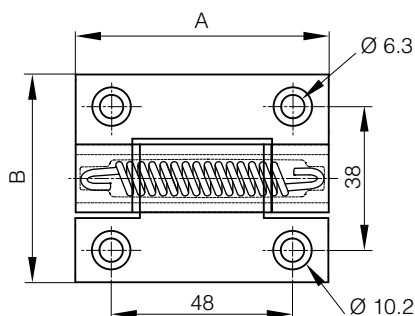
Closing spring force:

M(0°): 0.5 N.m / M(90°): 0.7 N.m / M(180°): 1 N.m

3 other versions available: free swinging, with friction or with detent mechanism.



Part number	Material	Finish	A	B	C	D	Note	Weight (g)
72-1-4222	6060 T5 alu	clear anodised	67	55	4.5	13	opening spring	67
72-1-4223	6060 T5 alu	black anodised	67	55	4.5	13	opening spring	67
72-1-4296	6060 T5 alu	clear anodised	67	55	4.5	13	opening spring / delivered flat	68
NS 72-1-4382	6060 T5 alu	blue anodised	67	55	4.5	13	opening spring / delivered flat	68
NS 72-1-4383	6060 T5 alu	red anodised	67	55	4.5	13	opening spring / delivered flat	68
NS 72-1-4384	6060 T5 alu	bronze anodised	67	55	4.5	13	opening spring / delivered flat	68
NS 72-1-4385	6060 T5 alu	gold anodised	67	55	4.5	13	opening spring / delivered flat	68
NEW 72-1-4327	6060 T5 alu	clear anodised	67	55	4.5	13	opening spring / delivered flat / with M6 studs	87
72-1-4297	6060 T5 alu	black anodised	67	55	4.5	13	opening spring / delivered flat	68
NEW 72-1-4328	6060 T5 alu	black anodised	67	55	4.5	13	opening spring / delivered flat / with M6 studs	87
72-1-4260	6060 T5 alu	clear anodised	67	55	4.5	13	closing spring	67
NS 72-1-4386	6060 T5 alu	blue anodised	67	55	4.5	13	closing spring	67
NS 72-1-4387	6060 T5 alu	red anodised	67	55	4.5	13	closing spring	67
NS 72-1-4388	6060 T5 alu	bronze anodised	67	55	4.5	13	closing spring	67
NS 72-1-4389	6060 T5 alu	gold anodised	67	55	4.5	13	closing spring	67
NEW 72-1-4320	6060 T5 alu	clear anodised	67	55	4.5	13	closing spring / with M6 studs	86
72-1-4261	6060 T5 alu	black anodised	67	55	4.5	13	closing spring	67
NEW 72-1-4321	6060 T5 alu	black anodised	67	55	4.5	13	closing spring / with M6 studs	86



72-1-4320 & 72-1-4321
72-1-4327 & 72-1-4328

