

# 7-086 Flush-mounted Compression Latch L28/L37 Stainless Steel



## Advantages

- Compression 6mm.
- Flush-mounted version.
- Vibration-proof.
- RH / LH version.
- Indication of opened/closed position on the housing edge and the insert.
- The H-dimension can be varied via the cranking of the cam.

## Materials

- **Housing, insert, axis, nut and anti-rotation device:** AISI 316
- **Serrated screw:** stainless steel

## Remarks

- (S) Door-thickness max. 13mm at GL 28mm
  - (S) Door-thickness max. 22mm at GL 37mm
  - (S) Door-thickness min. 1.8mm
- Negatively bent cams can not be installed pre-assembled.
1. Compression 6mm
  2. Nut
  3. Anti-rotation device (included in scope of delivery)
  4. Washer when using cylinder head screws or weld studs/nuts



## Flush-mounted Compression Latch with insert, RH version, closing left

|    | Part Number       | Insert             | Compression | Housing length | Door-thickness (S) | Installation type |
|----|-------------------|--------------------|-------------|----------------|--------------------|-------------------|
| a) | 148-9102.00-00000 | Square 8mm         | 6 mm        | 28 mm          | max. 13 mm         | screw-on          |
| a) | 148-9103.00-00000 | Double bit 3mm pin | 6 mm        | 28 mm          | max. 13 mm         | screw-on          |
| a) | 148-9107.00-00000 | Triangular 8mm     | 6 mm        | 28 mm          | max. 13 mm         | screw-on          |
| a) | 148-9108.00-00000 | Conical square 9mm | 6 mm        | 28 mm          | max. 13 mm         | screw-on          |
| b) | 148-9302.00-00000 | Square 8mm         | 6 mm        | 37 mm          | max. 22 mm         | screw-on          |
| b) | 148-9303.00-00000 | Double bit 3mm pin | 6 mm        | 37 mm          | max. 22 mm         | screw-on          |
| b) | 148-9307.00-00000 | Triangular 8mm     | 6 mm        | 37 mm          | max. 22 mm         | screw-on          |
| b) | 148-9308.00-00000 | Conical square 9mm | 6 mm        | 37 mm          | max. 22 mm         | screw-on          |

## Flush-mounted Compression Latch with insert, LH version, closing right

|    | Part Number       | Insert             | Compression | Housing length | Door-thickness (S) | Installation type |
|----|-------------------|--------------------|-------------|----------------|--------------------|-------------------|
| a) | 148-9152.00-00000 | Square 8mm         | 6 mm        | 28 mm          | max. 13 mm         | screw-on          |
| a) | 148-9153.00-00000 | Double bit 3mm pin | 6 mm        | 28 mm          | max. 13 mm         | screw-on          |
| a) | 148-9157.00-00000 | Triangular 8mm     | 6 mm        | 28 mm          | max. 13 mm         | screw-on          |
| a) | 148-9158.00-00000 | Conical square 9mm | 6 mm        | 28 mm          | max. 13 mm         | screw-on          |
| b) | 148-9352.00-00000 | Square 8mm         | 6 mm        | 37 mm          | max. 22 mm         | screw-on          |
| b) | 148-9353.00-00000 | Double bit 3mm pin | 6 mm        | 37 mm          | max. 22 mm         | screw-on          |
| b) | 148-9357.00-00000 | Triangular 8mm     | 6 mm        | 37 mm          | max. 22 mm         | screw-on          |
| b) | 148-9358.00-00000 | Conical square 9mm | 6 mm        | 37 mm          | max. 22 mm         | screw-on          |

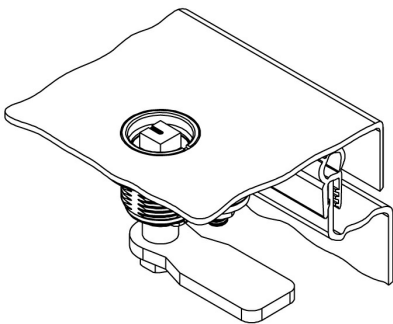
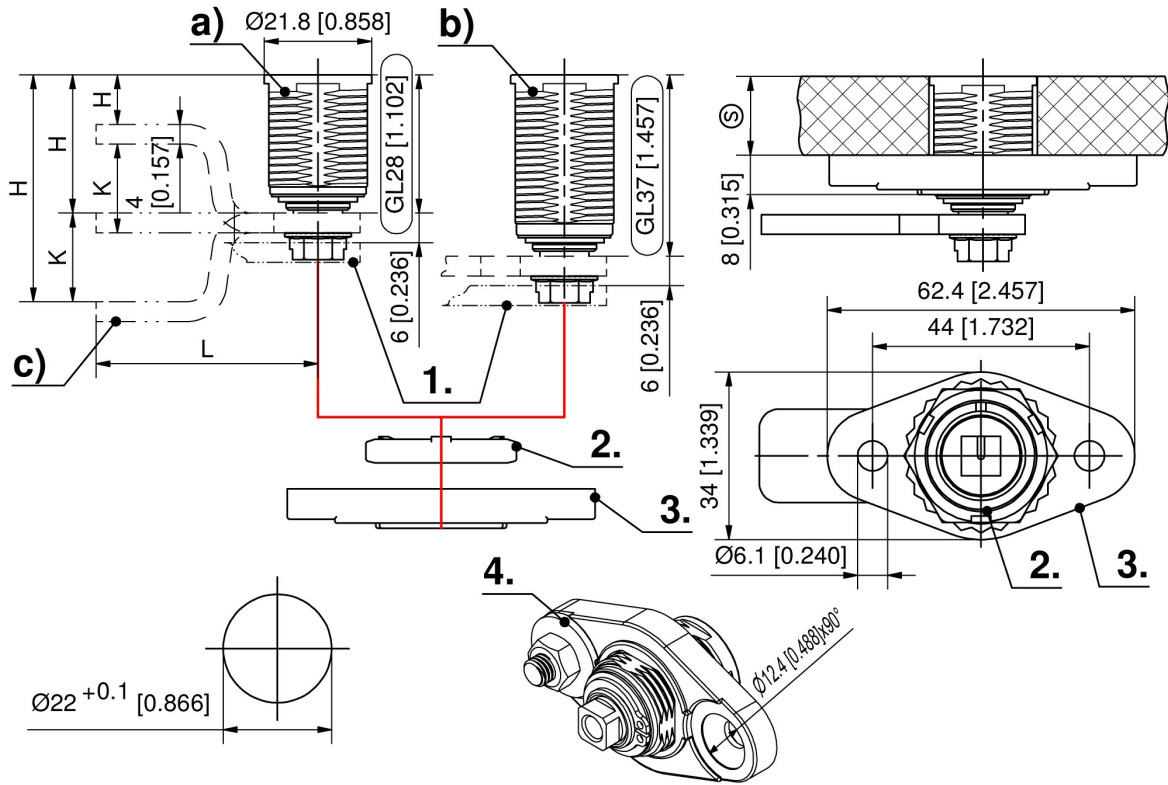
### \* Specific accessories

840-9021.00-00064 **Washer for 7-086 and 7-087**

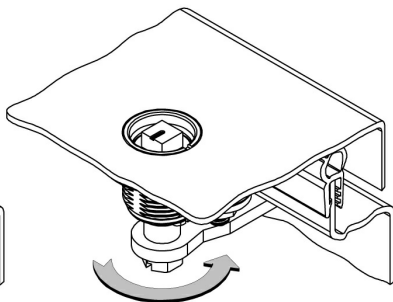
### \* Accessories

6-100 **Keys**

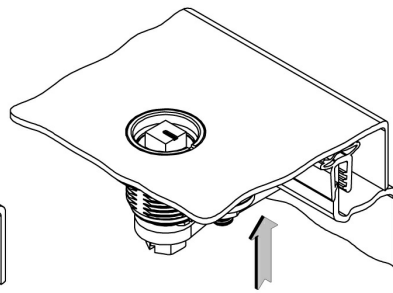
- c) 7-105.01 **Cams L35/45 Stainless Steel**
- 6-105 **Keys for the Railway Sector**



Open, unlatched position.



First 90° rotation:  
by turning the insert, the cam is placed behind the frame into the locked position. The door cannot be opened.



A further 90° rotation will pull the already latched cam 6 mm [0.236] towards the frame: the seal is compressed, the door is latched and free of play.